

4 Port Solenoid Valve Body Ported Series VZ1000

How to Order

VK

VZ

VF

VFR

VP4

VZS

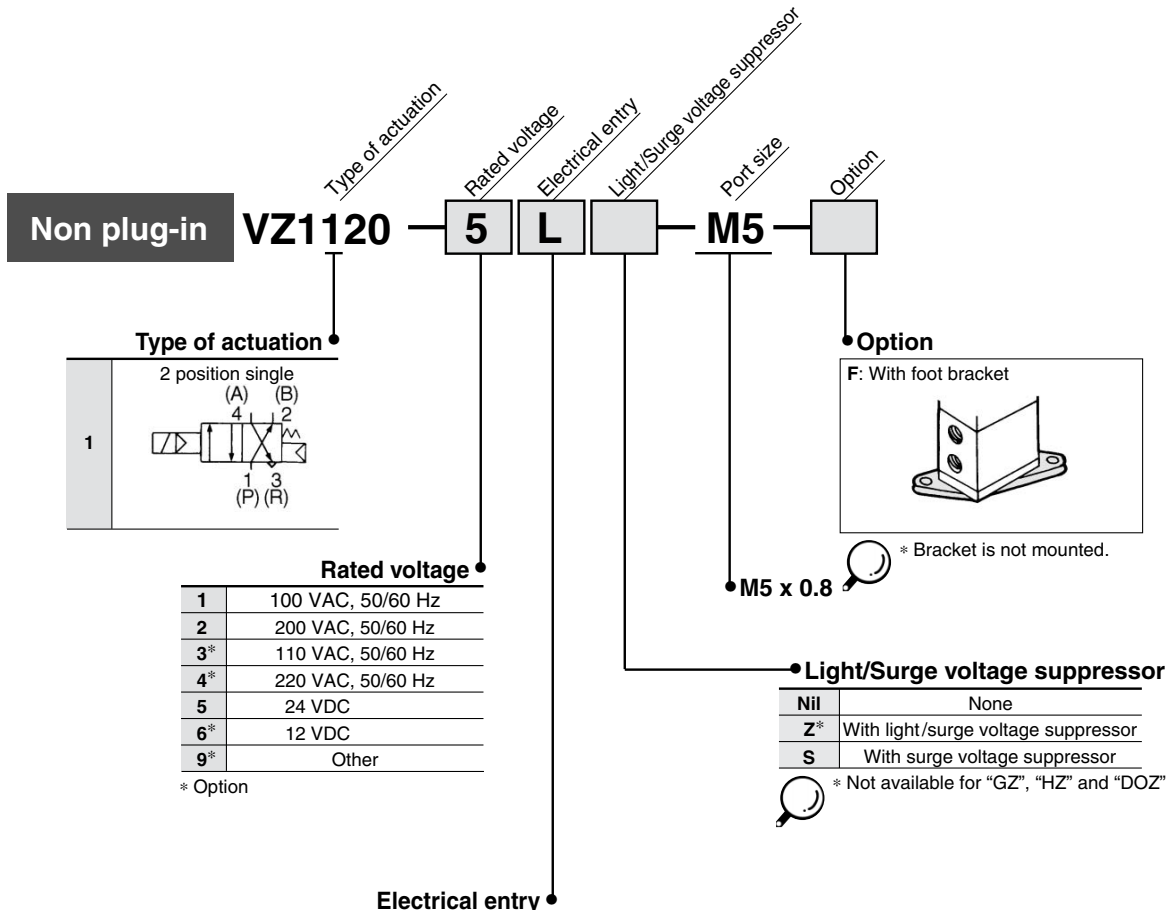
VFS

VS4

VQ7

EVS

VFN



Grommet	L plug connector	M plug connector		DIN terminal
G: Lead wire length 300 mm	L: With lead wire (Length 300 mm)	M: With lead wire (Length 300 mm)	MN: Without lead wire	D: With connector
H: Lead wire length 600 mm	LN: Without lead wire	LO: Without connector	MO: Without connector	DO: Without connector

* Type "LN", "MN": with 2 sockets.

Option

Description	Part no.	Note
Foot bracket	DXT170-34-1B	With mounting screw (M3 x 8)



Series VZ1000

Applicable for cylinder actuation (up to $\phi 16$).

Compact size
(Width: 15 mm)

Low power consumption:
1.8 W DC



Made to Order Specifications
(For details, refer to page 3-3-85.)

Specifications

Valve configuration	Pilot type 4 port solenoid valve
Fluid	Air
Operating pressure range (MPa)	0.15 to 0.7
Ambient and fluid temperature (°C)	-10 to 50 (No freezing. Refer to page 3-13-4.)
Response time (ms) (at the pressure of 0.5 MPa) ⁽¹⁾	15 or less
Max. operating frequency (Hz)	15
Effective area	Refer to the table below.
Lubrication	Not required
Manual override	Non-locking push type
Exhaust throttle	Not available
Mounting orientation	Unrestricted
Shock/Vibration resistance (m/s ²) ⁽²⁾	300/50
Enclosure	Dustproof



Note 1) Based on dynamic performance test, JIS B 8375-1981. (Coil temperature: 20°C, at rated voltage, without surge suppressor)

Note 2) Impact resistance: No malfunction occurred when it is tested with a drop tester in the axial direction and at the right angles to the main valve and armature in both energized and de-energized states every once for each condition. (Values at the initial period)

Vibration resistance: No malfunction occurred in a one-sweep test between 45 and 1000 Hz. Test was performed at both energized and de-energized states in the axial direction and at the right angles to the main valve and armature. (Values at the initial period)

Solenoid Specifications

* Option

Electrical entry	Grommet (G)/(H), L plug connector (L), M plug connector (M), DIN terminal (D)	
Coil rated voltage (V)	AC 50/60 Hz	100, 200, 24*, 48*, 110*, 220*
	DC	24, 6*, 12*, 48*
Allowable voltage fluctuation (%)	-15 to +10% of rated voltage	
Power consumption (W) ^{Note)} [Current mA]	DC 1.8 (With indicator light 2.1) [24 VDC: 75 (With indicator light 87.5)]	
Apparent power (VA) ^{Note)} [Current mA]	AC	Inrush 4.5/50 Hz, 4.2/60 Hz [100 VAC: 45/50 Hz, 42/60 Hz 200 VAC: 22.5/50 Hz, 21/60 Hz]
		Holding 3.5/50 Hz, 3/60 Hz [100 VAC: 35/50 Hz, 30/60 Hz 200 VAC: 17.5/50 Hz, 15/60 Hz]
Surge voltage suppressor	DC: Diode, AC: ZNR	
Indicator light	DC: LED (Red), AC: Neon bulb	



Note) At rated voltage

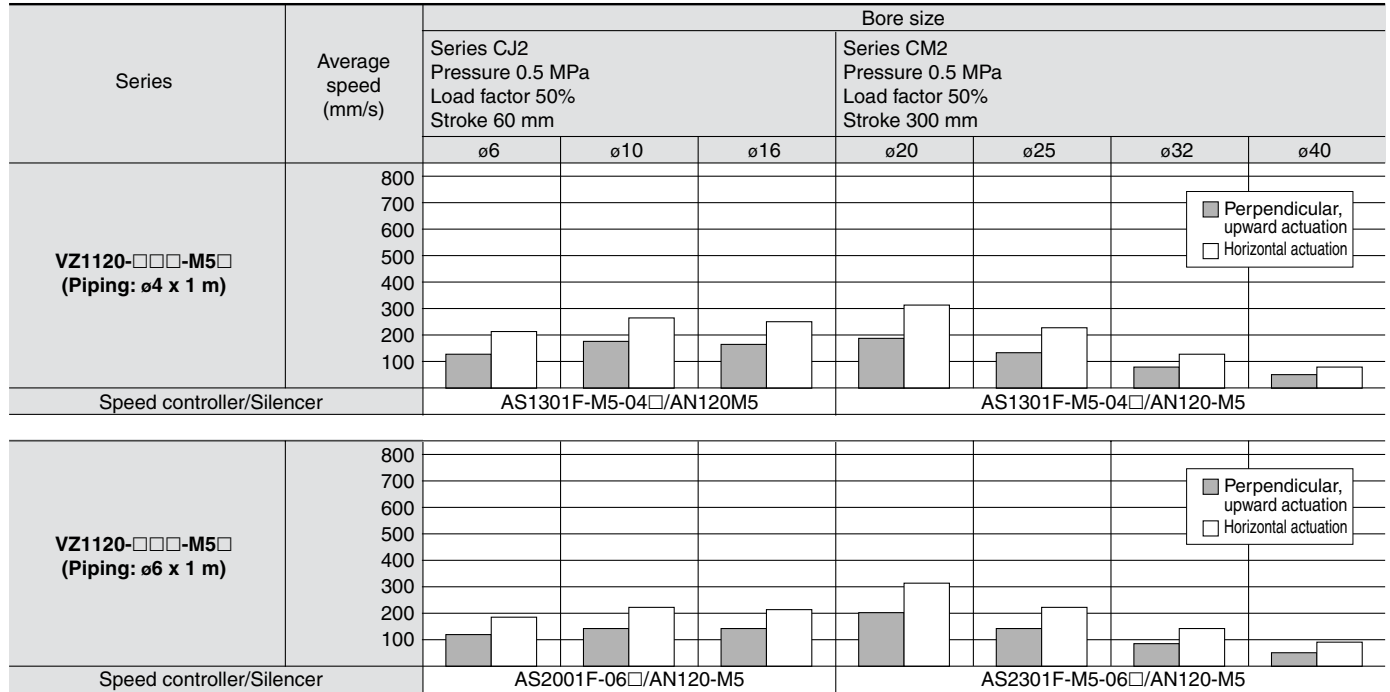
Effective Area/Weight

Valve model	Type of actuation	Effective area (mm ²)		Port size	Weight (g)
		1 → 4	2 → 3		
VZ1120-□-M5	2 position single solenoid	1.5	1.0	M5 x 0.8	90
		0.6	1.5		
		1.0	0.9		
		0.9	1.5		

4 Port Solenoid Valve Body Ported Series VZ1000

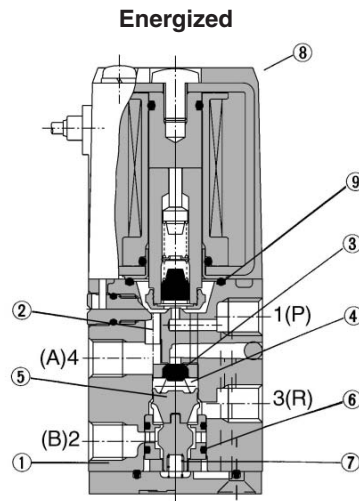
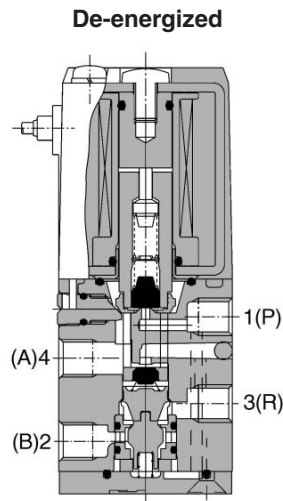
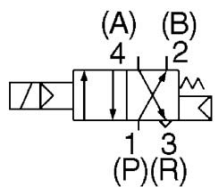
Cylinder Speed Chart

Use as a guide for selection.
Please confirm the actual conditions with SMC Sizing Program.



- * It is when the cylinder is extending that is meter-out controlled by speed controller which is directly connected with cylinder, and its needle valve with being fully open.
- * The average velocity of the cylinder is what the stroke is divided by the total stroke time.
- * Load factor: ((Load weight x 9.8)/Theoretical force) x 100%

Construction



Component Parts

No.	Description	Material	Note
①	Body	ZDC	Platinum silver
②	Push rod	Resin	
③	EXH poppet	NBR	
④	Back up spring	Stainless steel	
⑤	V seal	FKM	
⑥	Retainer assembly	Brass, NBR	
⑦	Poppet spring	Stainless steel	

Replacement Parts

No.	Description	Material	Part no.	Note
⑧	Solenoid assembly	Epoxy/Stainless steel	DXT170-A-□□□	
⑨	O-ring	NBR	13 x 11 x 1	Common with Series VZ ₅ 000

VK

VZ

VF

VFR

VP4

VZS

VFS

VS4

VQ7

EVS

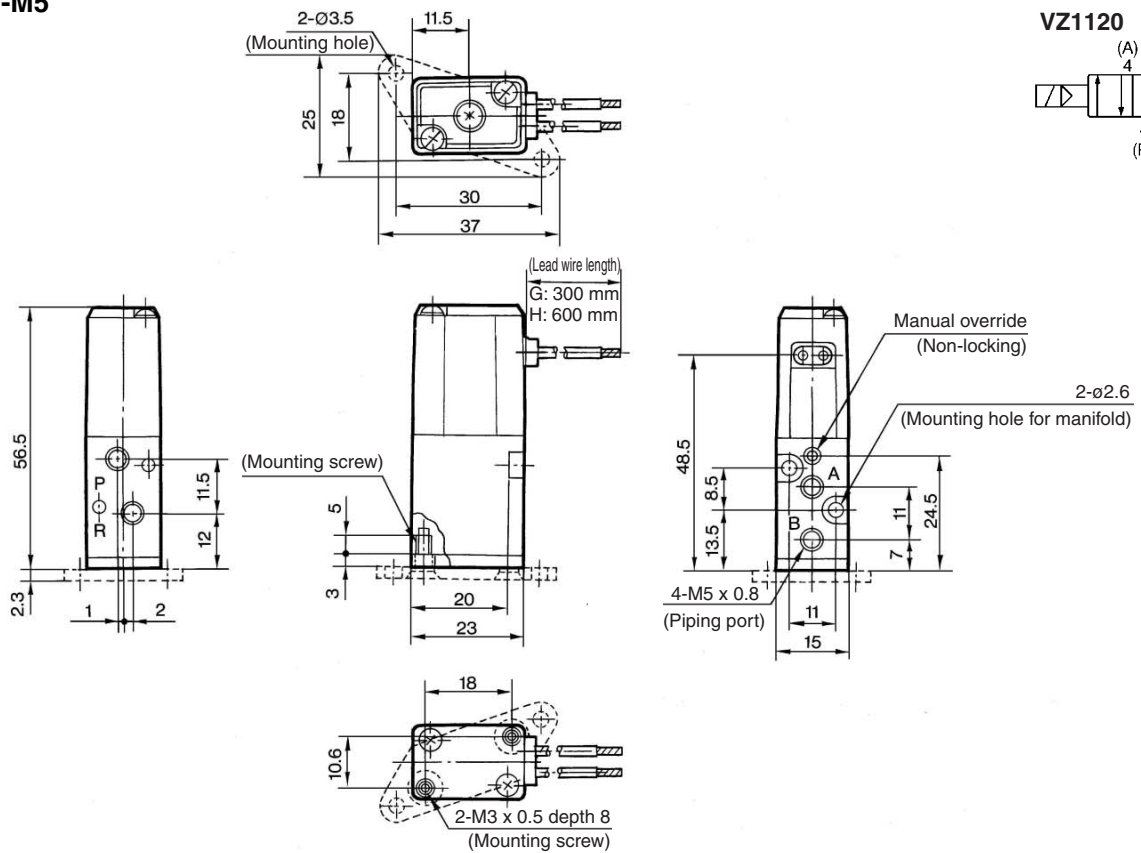
VFN

Series VZ1000

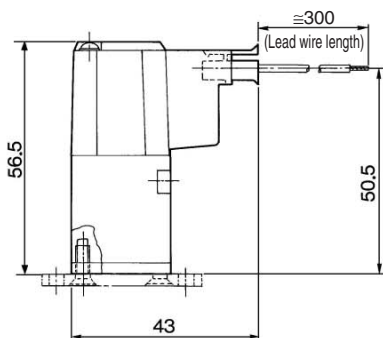


2 Position Single

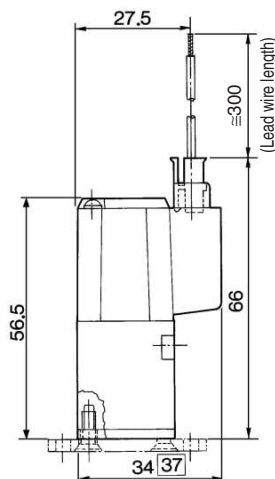
Grommet (G), (H) VZ1120-□G□-M5



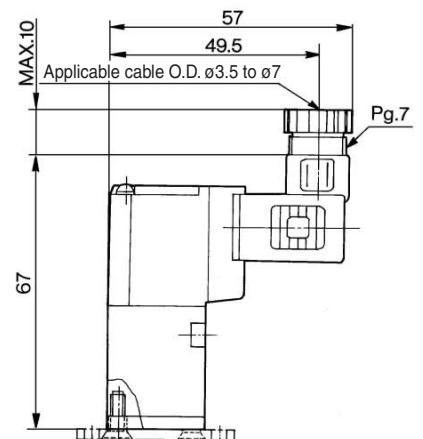
L plug connector (L) VZ1120-□L□-M5



M plug connector (M) VZ1120-□M□-M5



DIN terminal (D) VZ1120-□D□-M5



□: With light/surge voltage suppressor

Series VZ

Made to Order Specifications:

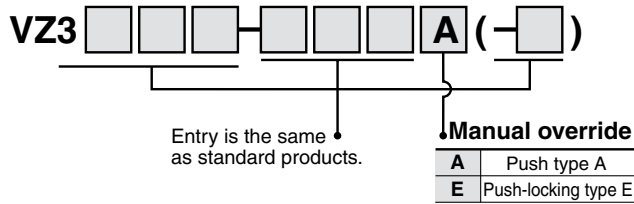
Please contact SMC for detailed specifications, dimensions, and delivery.

2. Solenoid Valve: Special Manual Override

Applicable solenoid valve series

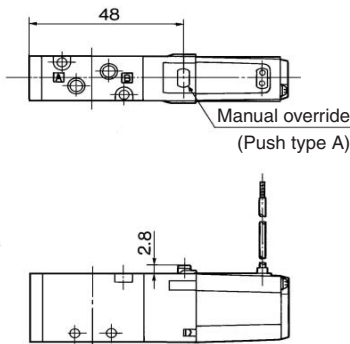
VZ3000
(Non plug-in type only)

Model no.

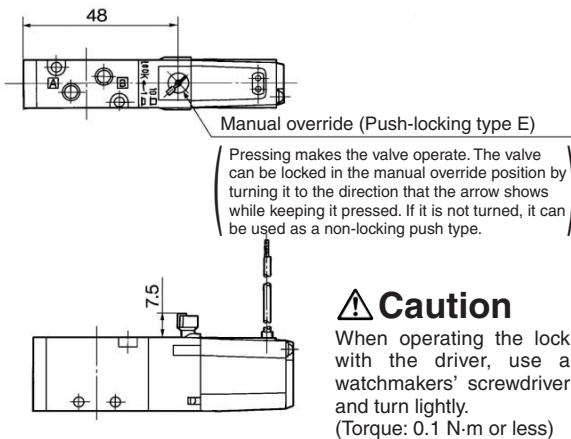


Dimensions: Single

Push type A



Push-locking type E



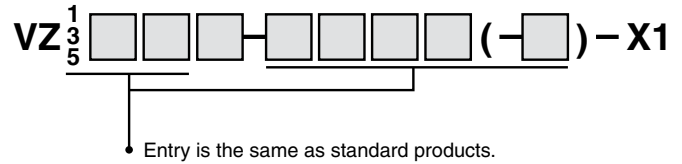
Note) Because the manual override unit protrudes, the manual override could activate unintentionally if the protrusion is touched or an object falls on it. Therefore, take the proper preventative measures.

3. Solenoid Valve: Opposite Mount of Solenoid Assembly

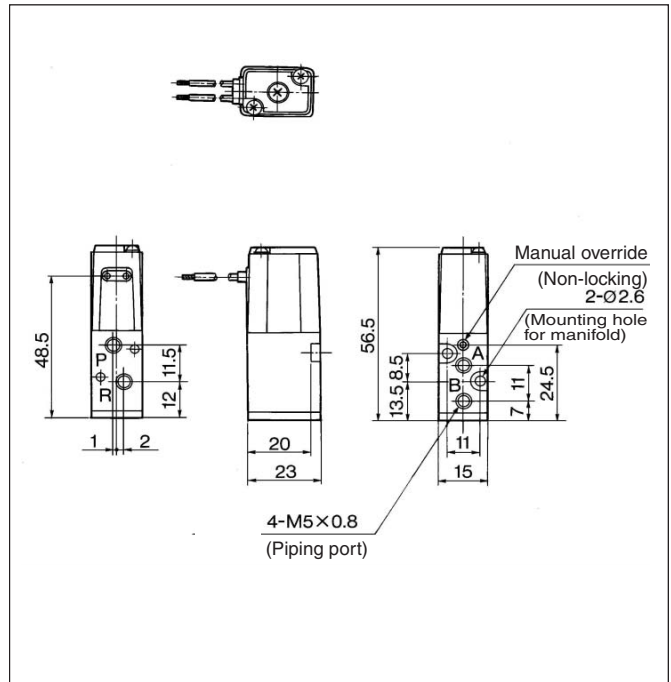
Applicable solenoid valve series

VZ1000/3000/5000
(Non plug-in type only)

Model no.



Dimensions: VZ1120-□G-M5-X1



Made to Order Specifications:

Please contact SMC for detailed specifications, dimensions, and delivery.

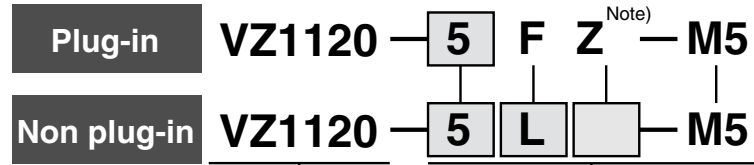
5. DIN Rail Manifold

Applicable solenoid valve series

VZ1000



How to Order Applicable Solenoid Valves



Same as page 3-3-9



Note) Please contact SMC in the case of without indicator light.

Manifold Specifications

Model		Type 25	Type 25F
Manifold type		Stacking type, non plug-in type	Stacking type, plug-in type
P(SUP), R(EXH)		Common SUP and EXH	
Valve stations		2 to 20 stations	2 to 20 stations
4(A), 2(B) port location		Valve	
Port size	1(P), 3/5(R) port	C6 (One-touch fitting for ø6)	
	4(A), 2(B) port	M5 x 0.8	
Valve effective ⁽¹⁾ area (mm ²)	VZ1120	1 → 2: 0.48, 4 → 3: 0.85	
Connector		—	MIL-C-24308 Applicable for JIS-X-5101 D-sub connector
Internal wiring		—	COM specifications ⁽²⁾



Note 1) Value at manifold base mounted, 2 position single operating

Note 2) It is available at +COM or -COM.

How to Order Manifold

Instruct by specifying the valves and blanking plate assembly to be mounted on the manifold along with the manifold base model no.

(Example) VV4Z1-25FD-06-00C...1 pc. (Manifold base)

*VZ1120-5FZ-M5.....5 pcs. (Valve)

*VZ1000-10-1A.....1 pc. (Blanking plate assembly)

↳The asterisk denotes the symbol for assembly. Prefix it to the part nos. of the solenoid valve, etc.