

# Cylinder with Lock

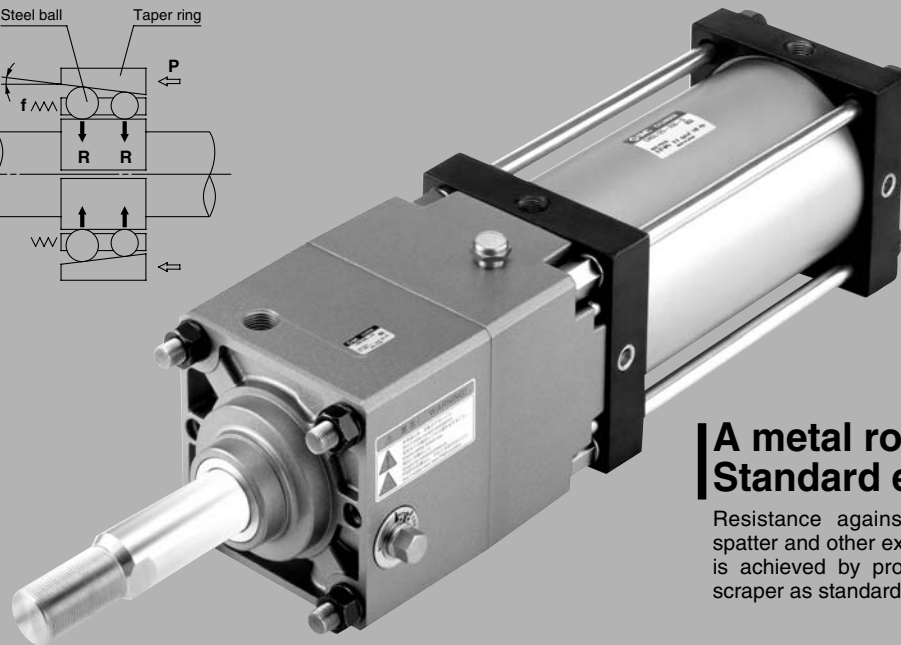
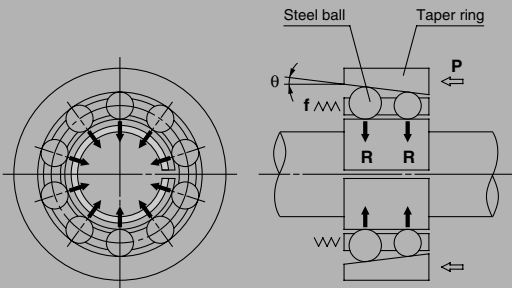
## Series CNS

ø125, ø140, ø160

**A locking cylinder ideal for intermediate stops, emergency stops and drop prevention.**

### Simple construction

A force magnifying mechanism is employed based on the wedge effect of the taper ring and steel balls.



### A metal rod scraper Standard equipment

Resistance against welding process spatter and other external contaminants is achieved by providing a metal rod scraper as standard.

### High locking efficiency

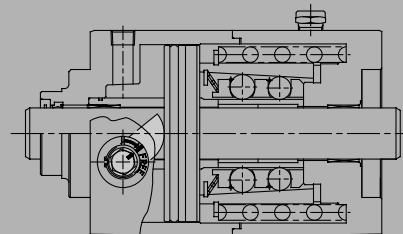
Greater locking efficiency as well as stable locking and unlocking operation has been achieved by arranging a large number of steel ball bearings in circular rows. (Unlocking pressure of 0.25 MPa ..... 0.05 MPa lower than conventional SMC products) In addition, both alignability and stable locking force with respect to piston rod eccentricity are obtained by allowing the taper ring to float.

### High reliability and stable holding force

Outstanding durability and stable holding force are maintained by the use of a brake shoe having superior wear resistance, which has also been substantially lengthened (double the conventional SMC product).

### Manual override for unlocking for emergency

Even if the air supply is blocked or exhausted, lock release is possible. The fail safe mechanism locks again when the manual override is released.



### Design minimizes the influences of unlocking air quality

A construction which is strong against moisture and drainage in the compressed air has been realized by separating the locking mechanism and the unlocking chamber.

### Series Variations

Series	Action	Type	Standard variations	Bore size (mm)	Lock holding force (kN)	Standard stroke (mm)
			With rod boot			
Cylinder with lock Series CNS	Double acting	Single rod Series CNS	●	125	8.4	Maximum 1600
			●	140	10.5	
			●	160	13.8	

### Can be locked in both directions

All equal holding force can be obtained on either reciprocating stroke of the cylinder.

CLJ2

CLM2

CLG1

CL1

MLGC

CNG

MNB

CNA

**CNS**

CLS

CLQ

RLQ

MLU

MLGP

ML1C

D-□

-X□

Individual  
-X□

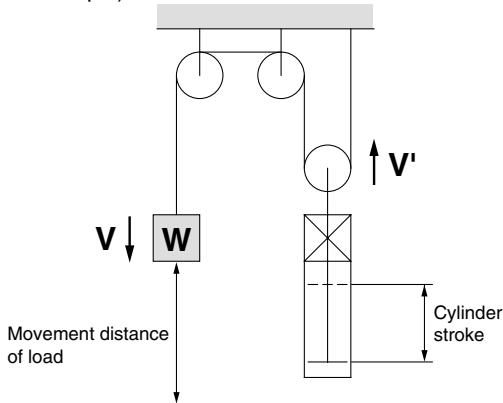
# Series CNS Model Selection

## Precautions on Model Selection

### ⚠ Caution

1. In order that the originally selected maximum speed is not exceeded, be certain to use a speed controller to adjust the total movement distance of the load so that movement takes place in no less than the applicable movement time. The movement time is the time that is necessary for the load to travel the total movement distance from the start without any intermediate stops.
2. In cases where the cylinder stroke and the movement distance of the load are different (double speed mechanism, etc.), use the movement distance of the load for selection purposes.

Example)



3. The following selection example and procedures are based on use at the intermediate stop (including emergency stops during the operation). However, when the cylinder is in the locked state, kinetic energy does not act upon it. Under these conditions, use the load mass at the maximum speed ( $V$ ) of 100 mm/s shown in graphs 5 to 7 on page 759 depending on the operating pressure and select models.

## Selection Example

- Load mass:  $m = 320 \text{ kg}$
- Movement distance:  $st = 400 \text{ mm}$
- Movement time:  $t = 2 \text{ s}$
- Load condition: Vertical downward = Load in direction of rod extension
- Operating pressure:  $P = 0.4 \text{ MPa}$

Step (1): From graph (1) find the maximum movement speed of the load

$\therefore$  Maximum speed  $V: \cong 280 \text{ mm/s}$

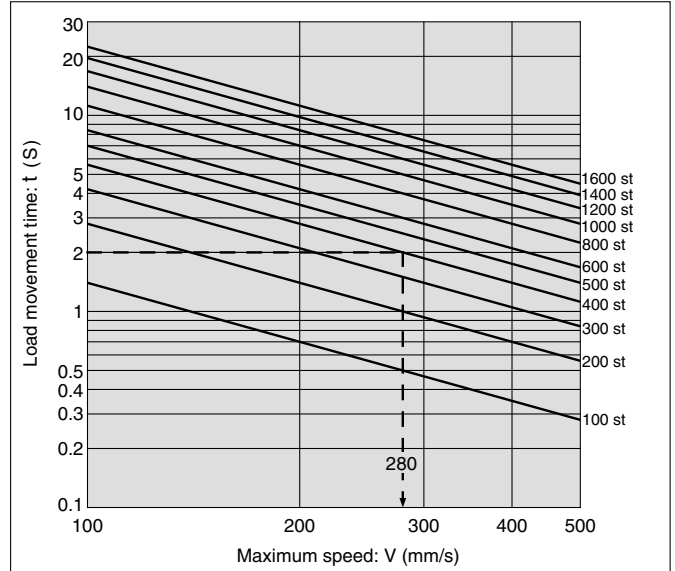
Step (2): Select Graph(6) based upon the load condition and operating pressure, and then from the intersection of the maximum speed  $V = 280 \text{ mm/s}$  found in Step (1), and the load mass  $m = 320 \text{ kg}$

$\therefore \phi 140 \rightarrow$  select a CNS140 or larger bore size.

## Step 1 Find the maximum load speed $V$ .

Find the maximum load speed:  $V$  (mm/s) from the load movement time:  $t$  (s) and the movement distance:  $st$  (mm).

### Graph (1)



## Step 2 Find the bore size.

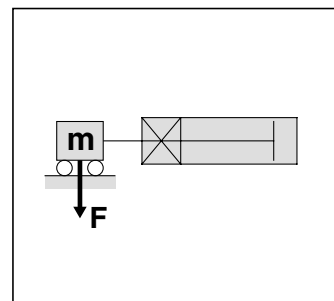
Select a graph based upon the load condition and operating pressure, and then find the point of intersection for the maximum speed found in Step (1) and the load mass. Select the bore size on the line above the point of intersection.

### Load Condition

Load in the direction at the right angle to rod

(\* Being held by a guide)

### Operating Pressure

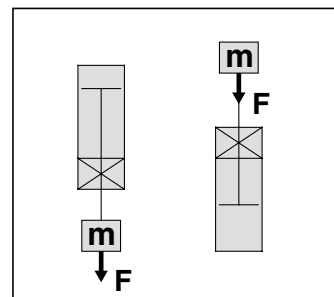


0.3 MPa ≤ → Graph (2)

0.4 MPa ≤ → Graph (3)

0.5 MPa ≤ → Graph (4)

Load in the direction of rod extension  
Load in the direction of rod retraction



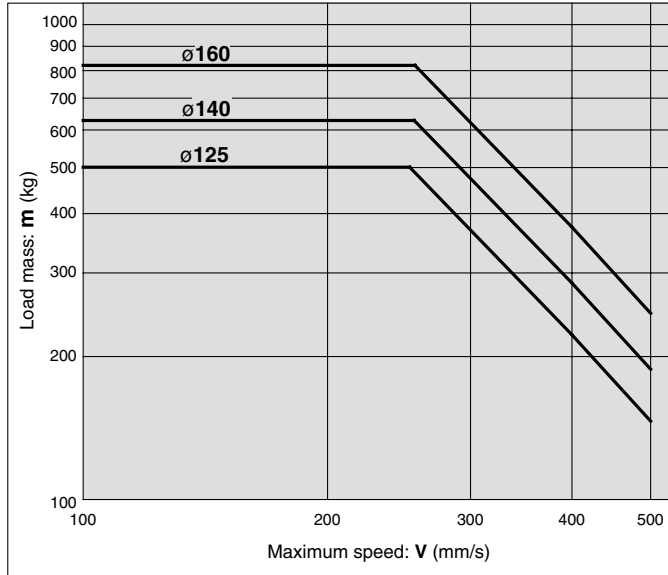
0.3 MPa ≤ → Graph (5)

0.4 MPa ≤ → Graph (6)

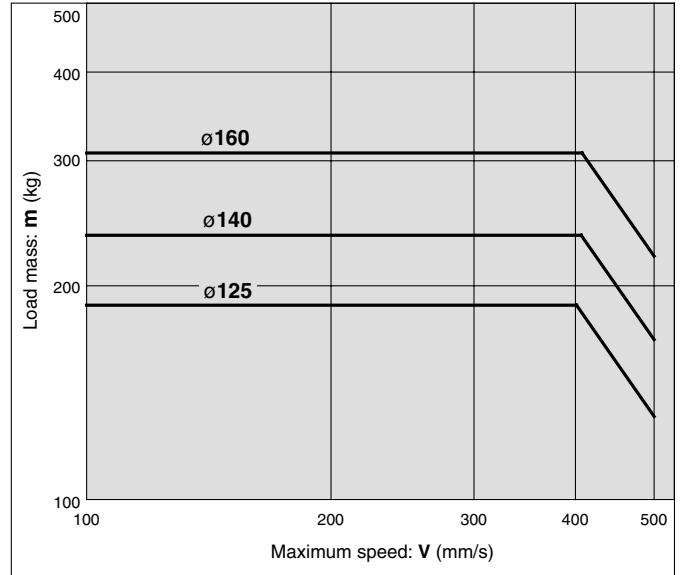
0.5 MPa ≤ → Graph (7)

**Selection Graph**

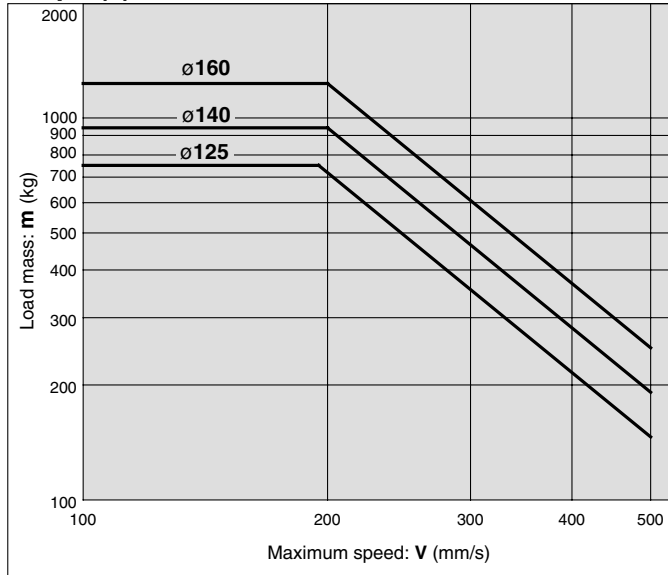
**Graph (2)**  $0.3 \text{ MPa} \leq P < 0.4 \text{ MPa}$



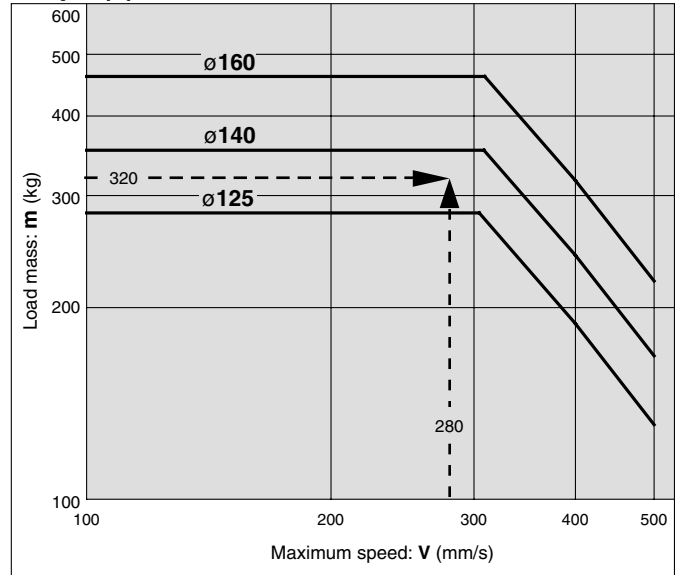
**Graph (5)**  $0.3 \text{ MPa} \leq P < 0.4 \text{ MPa}$



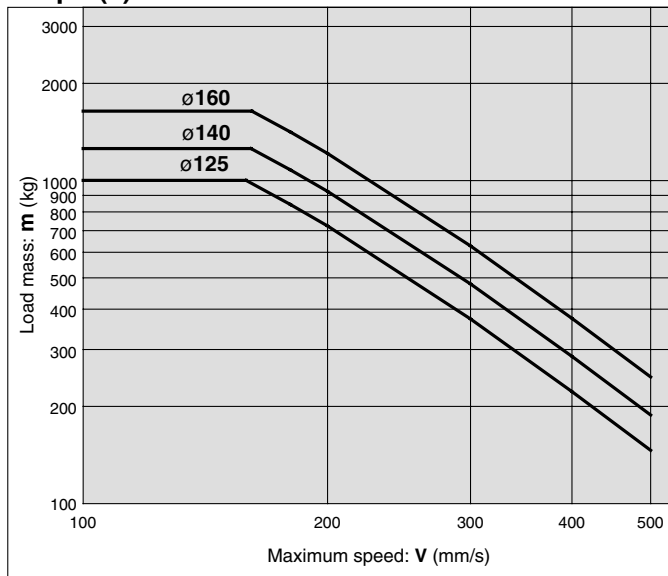
**Graph (3)**  $0.4 \text{ MPa} \leq P < 0.5 \text{ MPa}$



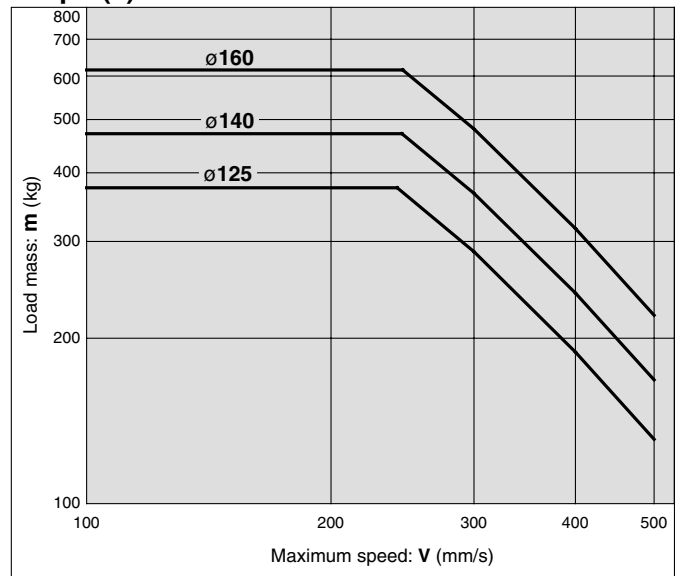
**Graph (6)**  $0.4 \text{ MPa} \leq P < 0.5 \text{ MPa}$



**Graph (4)**  $0.5 \text{ MPa} \leq P$



**Graph (7)**  $0.5 \text{ MPa} \leq P$



CLJ2

CLM2

CLG1

CL1

MLGC

CNG

MNB

CNA

**CNS**

CLS

CLQ

RLQ

MLU

MLGP

ML1C

D-

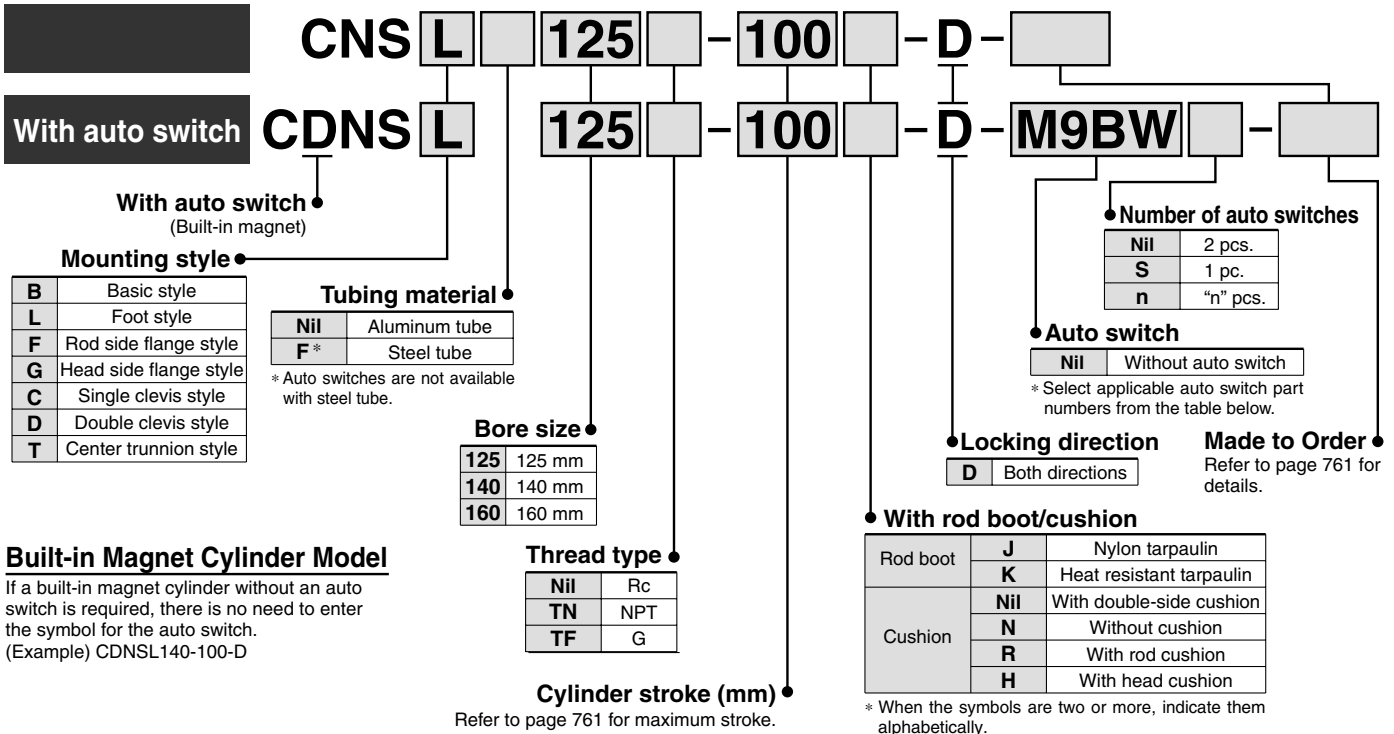
-X

Individual

-X

# Cylinder with Lock Double Acting, Single Rod Series **CNS** ø125, ø140, ø160

## How to Order



## Applicable Auto Switch/Refer to pages 1719 to 1827 for further information on auto switches.

Type	Special function	Electrical entry	Indicator/light	Wiring (Output)	Load voltage			Auto switch model		Lead wire length (m)				Pre-wired connector	Applicable load		
					DC		AC	Tie-rod mounting	Band mounting	0.5 (Nil)	1 (M)	3 (L)	5 (Z)				
Solid state switch		Grommet	No	3-wire (NPN)	24 V	5 V, 12 V	—	M9N	—	●	●	●	○	○	IC circuit		
				3-wire (PNP)	—	—	100 V, 200 V	M9P	—	●	●	●	○	○			
		2-wire		—	12 V	—	J51	—	●	●	●	○	○	—			
		—		—	—	—	M9B	—	●	●	●	○	○				
	Terminal conduit		Grommet	Yes	3-wire (NPN)	—	5 V, 12 V	—	—	—	—	—	—	—	IC circuit		
					2-wire	—	12 V	—	—	—	—	—	—	—		—	
	Diagnostic indication (2-color indication)		Grommet	Yes	3-wire (NPN)	24 V	5 V, 12 V	—	M9NW	—	●	●	●	○	○		IC circuit
					3-wire (PNP)	—	—	—	M9PW	—	●	●	●	○	○		
					2-wire	—	12 V	—	M9BW	—	●	●	●	○	○		
					3-wire (NPN)	—	5 V, 12 V	—	M9NA	—	○	○	●	○	○		
3-wire (PNP)					—	5 V, 12 V	—	M9PA	—	○	○	●	○	○			
2-wire					—	12 V	—	M9BA	—	○	○	●	○	○			
Water resistant (2-color indication)		Grommet	No	4-wire (NPN)	—	5 V, 12 V	—	F59F	—	●	—	●	○	○	IC circuit		
With diagnostic output (2-color indication)				—	—	—	—	—	—	—	—	—	—	—			
Reed switch		Terminal conduit	Yes	3-wire (NPN equivalent)	24 V	5 V	—	A96	—	●	—	●	—	—	IC circuit		
						12 V	100 V	A93	—	●	—	●	—	—	—	Relay, PLC	
						5 V, 12 V	100 V or less	A90	—	●	—	●	—	—	—		
		DIN terminal	Yes	2-wire	No	2-wire	24 V	100 V, 200 V	—	A54	—	●	—	●	●	—	IC circuit
								—	—	—	—	—	—	—	—	—	
		Diagnostic indication (2-color indication)		Grommet	Yes	2-wire	24 V	100 V, 200 V	—	A33	—	—	—	—	—	—	—
								—	—	—	—	—	—	—	—	—	
		Grommet	No	2-wire	24 V	100 V, 200 V	—	A34	—	—	—	—	—	—	Relay, PLC		
						—	—	—	—	—	—	—	—	—		—	
								A59W	—	●	—	●	—	—			

\* Lead wire length symbols: 0.5 m ..... Nil (Example) M9NW  
 1 m ..... M (Example) M9NWM  
 3 m ..... L (Example) M9NWL  
 5 m ..... Z (Example) M9NWZ

\* Solid state auto switches marked with "○" are produced upon receipt of order.

\* There are other applicable auto switches than listed above. For details, refer to page 775.

\* For details about auto switches with pre-wired connector, refer to pages 1784 and 1785.

\* D-A9□/M9□/M9□W/M9□AL auto switches are shipped together (not assembled). (Only auto switch brackets are assembled at the time of shipment.)

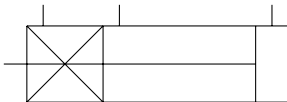
### Cylinder Specifications



Bore size (mm)	125	140	160
<b>Lube</b>	Not required (Non-lube)		
<b>Fluid</b>	Air		
<b>Proof pressure</b>	1.57 MPa		
<b>Max. operating pressure</b>	0.97 MPa		
<b>Min. operating pressure</b>	0.08 MPa		
<b>Piston speed</b>	50 to 500 mm/s *		
<b>Ambient and fluid temperature</b>	Without auto switch: 0 to 70°C (No freezing) With auto switch: 0 to 60°C (No freezing)		
<b>Cushion</b>	Air cushion		
<b>Stroke length tolerance</b>	Up to 250: $^{+1.0}_0$ , 251 to 1000: $^{+1.4}_0$ , 1001 to 1500: $^{+1.8}_0$ , 1501 to 1600: $^{+2.2}_0$		
<b>Mounting</b>	Basic style, Axial foot style, Rod side flange style, Head side flange style, Single clevis style, Double clevis style, Center trunnion style		

\* Load limits exist depending upon piston speed when locked, mounting direction and operating pressure.

#### JIS Symbol



**Made to Order Specifications**  
(For details, refer to pages 1836 and 1844.)

Symbol	Specifications
—XA□	Change of rod end shape
—XC14	Change of trunnion bracket mounting position

Refer to pages 773 to 775 for cylinders with auto switches.

- Minimum auto switch mounting stroke
- Proper auto switch mounting position (detection at stroke end) and mounting height
- Operating range
- Switch mounting bracket: Part no.

### Lock Specifications

Bore size (mm)	125	140	160
<b>Locking action</b>	Spring locking (Exhaust lock)		
<b>Unlocking pressure</b>	0.25 MPa or more		
<b>Lock starting pressure</b>	0.20 MPa or less		
<b>Operating pressure range</b>	0.25 to 0.7 MPa		
<b>Locking direction</b>	Both directions		
<b>Holding force (kN)</b>	8.4	10.5	13.8

\* Be sure to make cylinder selections in accordance with the method given on page 758.

### Cylinder Stroke

Tube material	Aluminum alloy	Carbon steel pipe (mm)	
<b>Bore size (mm)</b>	Basic style, Head side flange style, Single clevis style, Double clevis style, Center trunnion style	Basic style, Head side flange style, Single clevis style, Double clevis style, Center trunnion style	Foot style, Rod side flange style
<b>125, 140</b>	Up to 1000	Up to 1000	Up to 1600
<b>160</b>	Up to 1200	Up to 1200	Up to 1600

### Cylinder Stroke/Auto Switch Mounting on Cylinder Unit (Built-in Magnet)

Refer to the minimum auto switch mounting stroke (page 774) for those with an auto switch.

Bore size (mm)	Basic style, Head side flange style, Single clevis style, Double clevis style, Center trunnion style	Foot style, Rod side flange style
<b>125, 140</b>	Up to 1000	Up to 1400
<b>160</b>	Up to 1200	Up to 1400

### Stopping Accuracy

Lock type	Piston speed (mm/s)		
	100	300	500
Spring locking	±0.5	±1.0	±2.0

Condition: Lateral, Supply pressure P = 0.5 MPa

Load mass ..... Upper limit of allowed value

Solenoid valve for locking .... Mounted directly to unlocking port

Maximum value of stopping position dispersion from 100 measurements

CLJ2

CLM2

CLG1

CL1

MLGC

CNG

MNB

CNA

CNS

CLS

CLQ

RLQ

MLU

MLGP

ML1C

D-□

-X□

Individual  
-X□

# Series CNS

## Mounting Bracket Part No.

Bore size (mm)	125	140	160
Foot <sup>(1)</sup>	CS1-L12	CS1-L14	CS1-L16
Rod side flange style <sup>(2)</sup>	CS1-FL12	CS1-FL14	CS1-FL16
Head side flange style	CS1-F12	CS1-F14	CS1-F16
Single knuckle joint	CS1-C12	CS1-C14	CS1-C16
Double knuckle joint <sup>(3)</sup>	CS1-D12	CS1-D14	CS1-D16

Note 1) When ordering foot bracket, order 2 pieces per cylinder.

Note 2)  $\phi$ 125 to  $\phi$ 160 rod side flange styles use Series CS1 long stroke flanges.

Note 3) Clevis pin and cotter pin (2 pcs.) are shipped together with double clevis style.

## Accessory

Mounting bracket		Basic style	Foot style	Rod side style Flange side style	Head side flange style	Single clevis style	Double clevis style	Center trunnion style
Standard equipment	Clevis pin	—	—	—	—	—	●	—
Option	Rod end nut	●	●	●	●	●	●	●
	Single knuckle joint	●	●	●	●	●	●	●
	Double knuckle joint (With pin)	●	●	●	●	●	●	●
	With rod boot	●	●	●	●	●	●	●

\* Refer to page 771 for the accessory bracket dimensions.

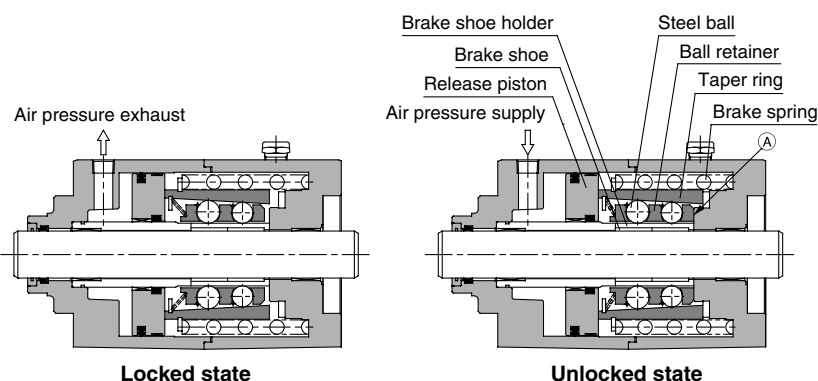
\*\* Refer to page 772 when the rod end nut, and the single and double knuckle joints are used together.

## Mass / ( ) : Denotes the values for steel tube.

Bore size (mm)		125	140	160
Lock unit mass		14.40	20.20	30.60
Basic mass	Basic style	28.79 (30.26)	37.67 (39.48)	55.31 (57.52)
	Foot style	30.42 (31.89)	40.19 (42.00)	58.11 (60.32)
	Flange style	31.47 (32.94)	42.67 (44.48)	61.70 (63.91)
	Single clevis style	31.86 (33.33)	41.96 (43.77)	60.80 (63.01)
	Double clevis style (Including clevis pin and cotter pin)	32.32 (33.79)	42.71 (44.52)	61.65 (63.86)
	Trunnion style	32.92 (34.39)	43.40 (45.21)	62.71 (64.92)
Additional mass per each 100 mm of stroke		1.77 (2.66)	1.96 (3.01)	2.39 (3.58)
Accessory bracket	Single knuckle joint	0.91	1.16	1.56
	Double knuckle joint (With pin)	1.37	1.81	2.48
	Rod end nut	0.16	0.16	0.23

Calculation: (Example) CNSL140-100-D Basic mass..... 40.19 (Foot style,  $\phi$ 140)  
 Additional mass .... 1.96/100 stroke  
 Cylinder stroke ..... 100 stroke  
 $40.19 + 1.96 \times 100/100 = 42.15$  kg

## Construction Principle

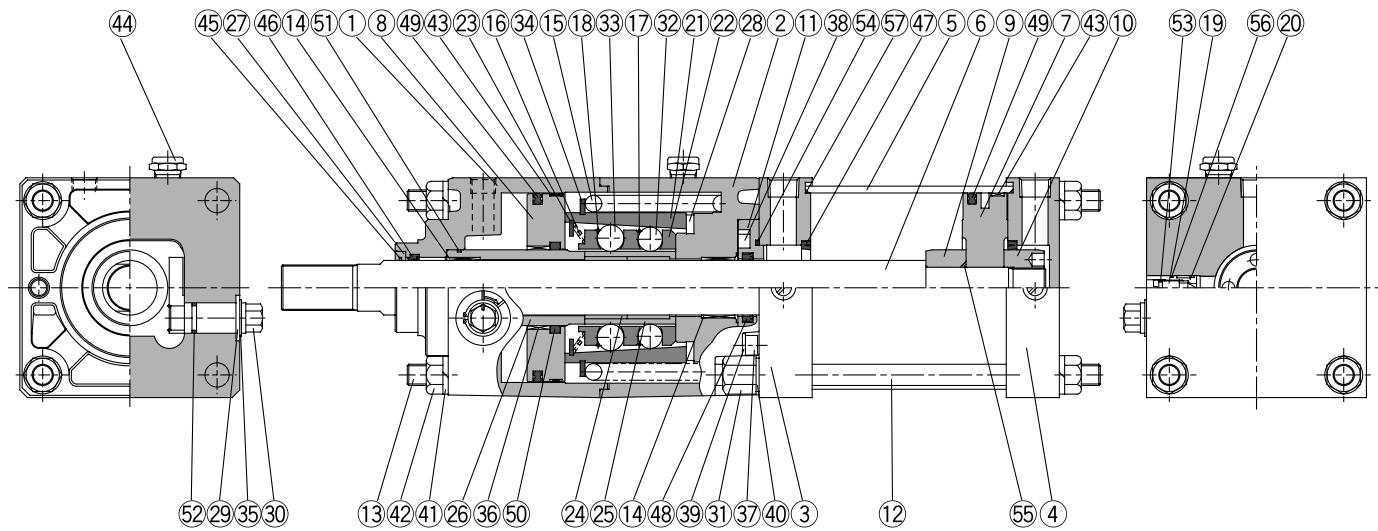


### Spring locking (Exhaust lock)

The spring force which acts upon the taper ring is magnified by a wedge effect, and is conveyed to all of the numerous steel balls which are arranged in two circles. These act on the brake shoe holder and brake, which locks the piston rod by tightening against it with a large force.

Unlocking is accomplished when air pressure is supplied to the unlocking port. The release piston and taper ring oppose the spring force, moving to the right side, and the ball retainer strikes the cover section A. The braking force is released as the steel balls are removed from the taper ring by the ball retainer.

## Construction



### Component Parts

No.	Description	Material	Note
1	Cover A	Aluminum alloy	Hard anodized and painted
2	Cover B	Aluminum alloy	Hard anodized and painted
3	Rod cover	Rolled steel plate	Black painted
4	Head cover	Rolled steel plate	Black painted
5	Cylinder tube	Aluminum alloy	Hard anodized
6	Piston rod	Carbon steel	Hard chrome plated
7	Piston	Aluminum alloy casted	Chromated
8	Release piston	Aluminum alloy	Chromated
9	Cushion ring A	Rolled steel	Zinc chromated
10	Cushion ring B	Rolled steel	Zinc chromated
11	Retaining plate B	Aluminum alloy	
12	Tie-rod A	Carbon steel	Chromated
13	Unit holding tie-rod	Carbon steel	Chromated
14	Bushing	Copper alloy	
15	Brake spring	Steel wire	Black painted
16	Pre-load spring	Steel wire	Zinc chromated
17	Clip A	Stainless steel wire	
18	Clip B	Stainless steel wire	
19	Cushion valve	Rolled steel	Electroless nickel plated
20	Valve guide	Brass	
21	Taper ring	Carbon steel	Heat treated
22	Ball retainer	Aluminum alloy	
23	Tooth ring	Stainless steel	
24	Brake shoe	Babbitt	
25	Brake shoe holder	Special steel	Heat treated
26	Piston guide	Carbon steel	Zinc chromated
27	Coil scraper mounting plate	Aluminum alloy	Anodized
28	Bumper	Polyurethane rubber	
29	Washer	Carbon steel	Colorless zinc chromated

### Component Parts

No.	Description	Material	Note
30	Unlocking cam	Carbon steel	Zinc chromated
31	Wing nut	Carbon steel	ø125, 140: Nickel plated ø160: Black zinc chromated
32	Steel ball A	Carbon steel	
33	Steel ball B	Carbon steel	
34	Type C retaining ring for shaft (for taper ring)	Carbon steel	Black oxide finish
35	Type C retaining ring for axis (for unlocking cam)	Carbon steel	Nickel plated
36	Bushing (for release piston)	Copper alloy	
37	Hexagon socket head cap screw	Chromium molybdenum steel	Nickel plated
38	Hexagon socket head cap screw	Chromium molybdenum steel	Nickel plated
39	Conical spring washer	Spring steel	Nickel plated
40	Conical spring washer	Spring steel	Nickel plated
41	Spring washer	Steel wire	Black zinc chromated
42	Hexagon nut	Rolled steel	Black zinc chromated
43	Wear ring	Resin	
44	BC element		
45	Coil scraper	Phosphor bronze	
46	Wiper ring	NBR	
47	Cushion seal	NBR	
48	Rod seal	NBR	
49	Piston seal	NBR	
50	O-ring (for release piston)	NBR	
51	O-ring (for piston guide)	NBR	
52	O-ring (for unlocking cam)	NBR	
53	Valve seal	NBR	
54	Retaining plate gasket	NBR	
55	Piston gasket	NBR	
56	Guide gasket	NBR	
57	Tube gasket	NBR	

### Replacement Parts/Seal Kit

Bore size (mm)	Kit no.	Contents
125	CS1N125A-PS	Set of above nos. 46, 48, 49, 53, 54, 57
140	CS1N140A-PS	
160	CS1N160A-PS	

\* Since the lock section for Series CNS is normally replaced as a unit, kits are for the cylinder section only. These can be ordered using the order number for each bore size.  
 \* Seal kit includes 46, 48, 49, 53, 54, 57. Order the seal kit, based on each bore size.  
 \* Seal kit includes a grease pack (40 g).  
 Order with the following part number when only the grease pack is needed.  
**Grease pack part no.:** GR-S-010 (10 g), GR-S-020 (20 g)

CLJ2

CLM2

CLG1

CL1

MLGC

CNG

MNB

CNA

CNS

CLS

CLQ

RLQ

MLU

MLGP

ML1C

D-□

-X□

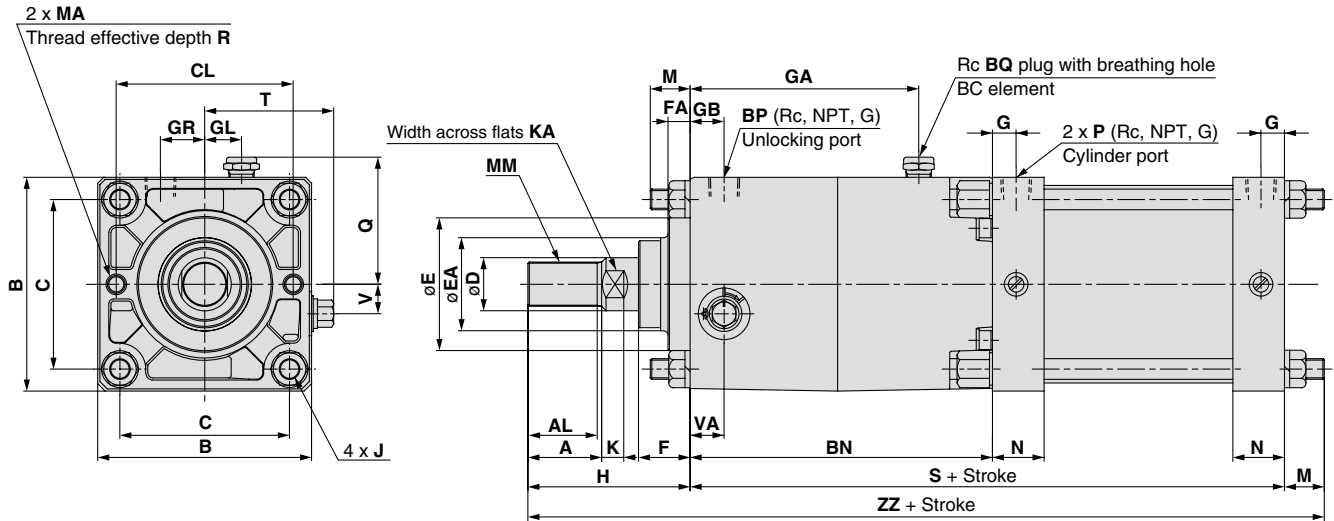
Individual

-X□

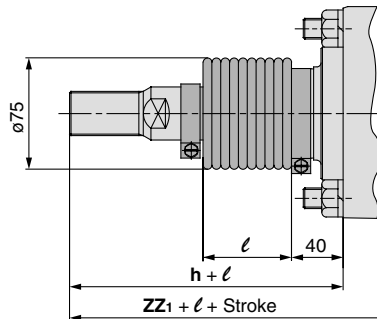
# Series CNS

## Dimensions

### Basic style (B): CNSB



### With rod boot



Bore size (mm)	Stroke range (mm)	A	AL	B	BN	BP	BQ	C	CL	D	E	EA	F	FA	G	GA	GB	GL	GR	J
125	Up to 1000	50	47	145	205	1/2	3/8	115	120	36	90	63	35	14	16	155	23	25	30	M14 x 1.5
140	Up to 1000	50	47	161	245	1/2	3/8	128	136	36	90	63	35	14	16	180	28	30	30	M14 x 1.5
160	Up to 1200	56	53	182	290	1/2	3/8	144	144	40	90	63	43	14	18.5	215	35	35	35	M16 x 1.5

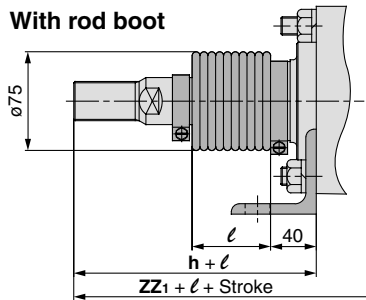
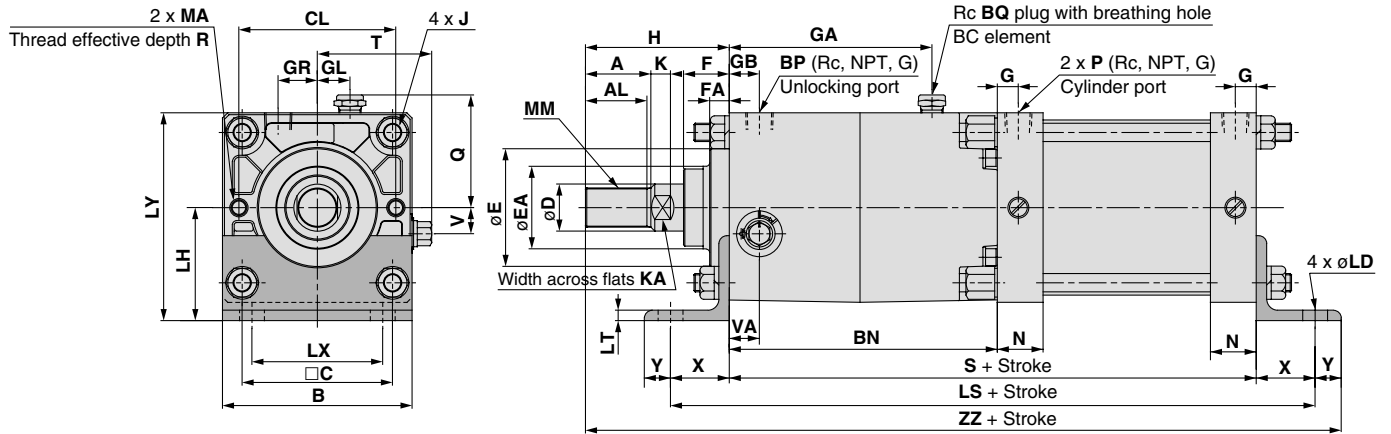
Bore size (mm)	K	KA	M	MA	MM	N	P	Q	R	S	T	V	VA	H	ZZ
125	15	31	27	M12 x 1.75	M30 x 1.5	35	1/2	85.5	25	303	87.5	20	23	110	440
140	15	31	27	M12 x 1.75	M30 x 1.5	35	1/2	93.5	25	343	95	20	28	110	480
160	17	36	30.5	M12 x 1.75	M36 x 1.5	39	3/4	104	25	396	109	25	35	120	546.5

### With Rod Boot

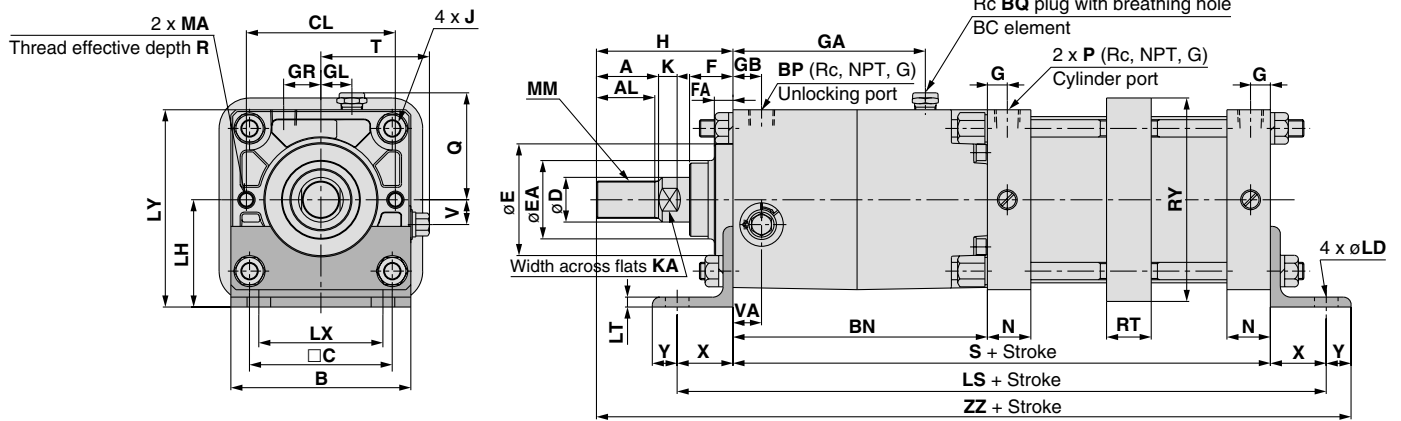
Bore size (mm)	Stroke range (mm)	ZZ <sub>1</sub>	l	h
125	30 to 1000	463	0.2 stroke	133
140	30 to 1000	503	0.2 stroke	133
160	30 to 1200	567.5	0.2 stroke	141



**Foot style (L): CNSL**



**Long stroke**



Bore size (mm)	Stroke range (mm)	A	AL	B	BN	BP	BQ	C	CL	D	E	EA	F	FA	G	GA	GB	GL	GR	J
125	Up to 1400	50	47	145	205	1/2	3/8	115	120	36	90	63	35	14	16	155	23	25	30	M14 x 1.5
140	Up to 1400	50	47	161	245	1/2	3/8	128	136	36	90	63	35	14	16	180	28	30	30	M14 x 1.5
160	Up to 1400	56	53	182	290	1/2	3/8	144	144	40	90	63	43	14	18.5	215	35	35	35	M16 x 1.5

Bore size (mm)	K	KA	LD	LH	LS	LT	LX	LY	MA	MM	N	P	Q	R	S	T	V	VA	X	Y	H	ZZ
125	15	31	19	85	393	8	100	157.5	M12 x 1.75	M30 x 1.5	35	1/2	85.5	25	303	87.5	20	23	45	20	110	478
140	15	31	19	100	433	9	112	180.5	M12 x 1.75	M30 x 1.5	35	1/2	93.5	25	343	95	20	28	45	30	110	528
160	17	36	19	106	496	9	118	197	M12 x 1.75	M36 x 1.5	39	3/4	104	25	396	109	25	35	50	25	120	591

With Rod Boot		(mm)		
Bore size (mm)	Stroke range (mm)	ZZ <sub>1</sub>	l	h
125	30 to 1400	501	0.2 stroke	133
140	30 to 1400	551	0.2 stroke	133
160	30 to 1400	612	0.2 stroke	141

Long Stroke		(mm)	
Bore size (mm)	Stroke range (mm)	RT	RY
125	1401 to 1600	36	164
140	1401 to 1600	36	184
160	1401 to 1600	45	204

\* Not available with auto switches.

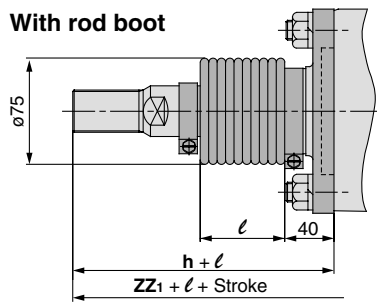
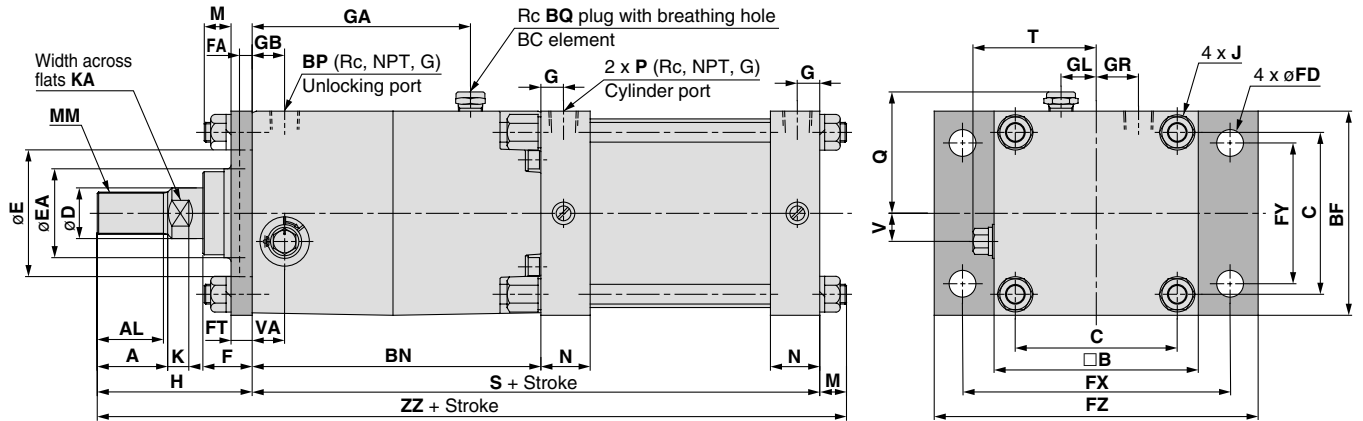
- CLJ2
- CLM2
- CLG1
- CL1
- MLGC
- CNG
- MNB
- CNA
- CNS**
- CLS
- CLQ
- RLQ
- MLU
- MLGP
- ML1C

- D-□
- X□
- Individual
- X□

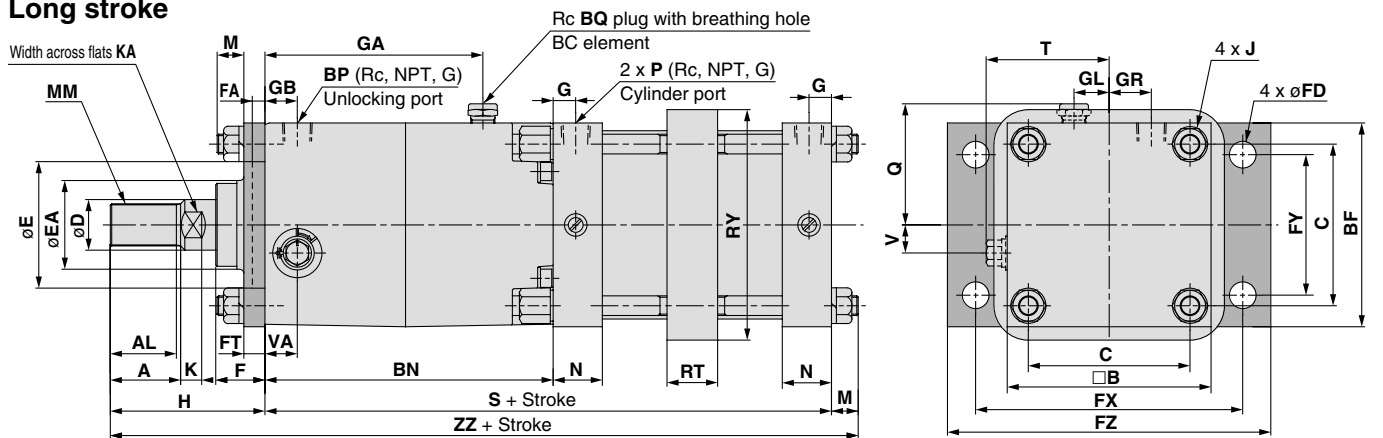
# Series CNS

## Dimensions

### Rod side flange style (F): CNSF



### Long stroke



Bore size (mm)	Stroke range (mm)	A	AL	B	BF	BN	BP	BQ	C	D	E	EA	F	FA	FD	FT	FX	FY	FZ	G	GA
125	Up to 1400	50	47	145	145	205	1/2	3/8	115	36	90	63	35	14	19	14	190	100	230	16	155
140	Up to 1400	50	47	161	160	245	1/2	3/8	128	36	90	63	35	14	19	20	212	112	255	16	180
160	Up to 1400	56	53	182	180	290	1/2	3/8	144	40	90	63	43	14	19	20	236	118	275	18.5	215

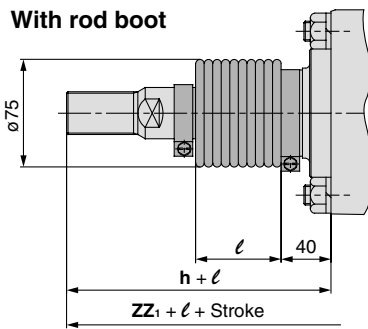
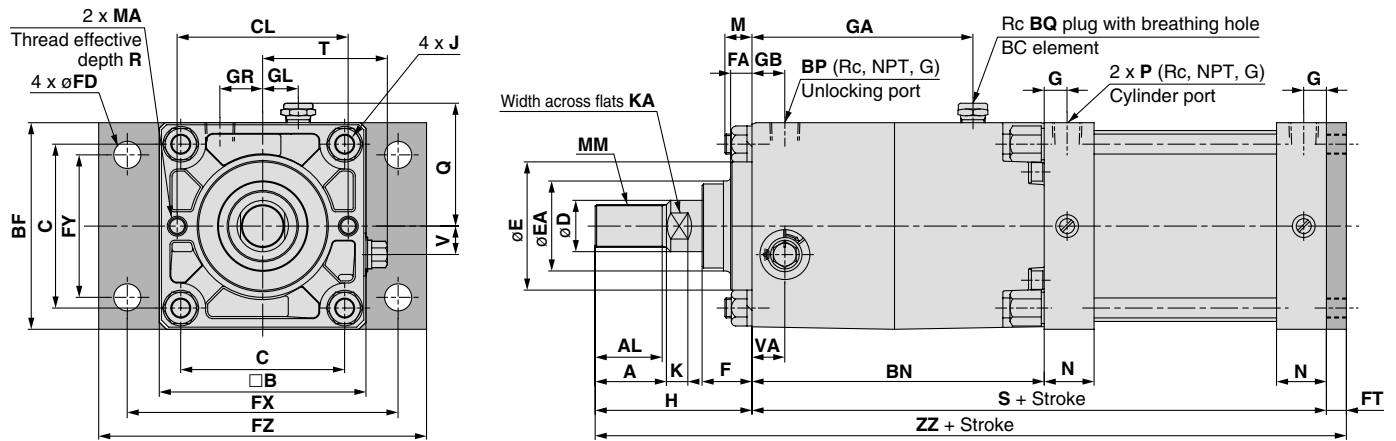
Bore size (mm)	GB	GL	GR	J	K	KA	M	MM	N	P	Q	S	T	V	VA	H	ZZ
125	23	25	30	M14 x 1.5	15	31	19	M30 x 1.5	35	1/2	85.5	303	87.5	20	23	110	432
140	28	30	30	M14 x 1.5	15	31	19	M30 x 1.5	35	1/2	93.5	343	95	20	28	110	472
160	35	35	35	M16 x 1.5	17	36	22	M36 x 1.5	39	3/4	104	396	109	25	35	120	538

With Rod Boot		(mm)		
Bore size (mm)	Stroke range (mm)	ZZ <sub>1</sub>	l	h
125	30 to 1400	455	0.2 stroke	133
140	30 to 1400	495	0.2 stroke	133
160	30 to 1400	559	0.2 stroke	141

Long Stroke		(mm)	
Bore size (mm)	Stroke range (mm)	RT	RY
125	1401 to 1600	36	164
140	1401 to 1600	36	184
160	1401 to 1600	45	204

\* Not available with auto switches.

Head side flange style (G): CNSG



- CLJ2
- CLM2
- CLG1
- CL1
- MLGC
- CNG
- MNB
- CNA
- CNS**
- CLS
- CLQ
- RLQ
- MLU
- MLGP
- ML1C

Bore size (mm)	Stroke range (mm)	A	AL	□B	BF	BN	BP	BQ	□C	CL	D	E	EA	F	FA	FD	FT	FX	FY	FZ	G	GA
125	Up to 1000	50	47	145	145	205	1/2	3/8	115	120	36	90	63	35	14	19	14	190	100	230	16	155
140	Up to 1000	50	47	161	160	245	1/2	3/8	128	136	36	90	63	35	14	19	20	212	112	255	16	180
160	Up to 1200	56	53	182	180	290	1/2	3/8	144	144	40	90	63	43	14	19	20	236	118	275	18.5	215

Bore size (mm)	GB	GL	GR	J	K	KA	M	MA	MM	N	P	Q	R	S	T	V	VA	H	ZZ
125	23	25	30	M14 x 1.5	15	31	19	M12 x 1.75	M30 x 1.5	35	1/2	85.5	25	303	87.5	20	23	110	427
140	28	30	30	M14 x 1.5	15	31	19	M12 x 1.75	M30 x 1.5	35	1/2	93.5	25	343	95	20	28	110	473
160	35	35	35	M16 x 1.5	17	36	22	M12 x 1.75	M36 x 1.5	39	3/4	104	25	396	109	25	35	120	536

With Rod Boot (mm)

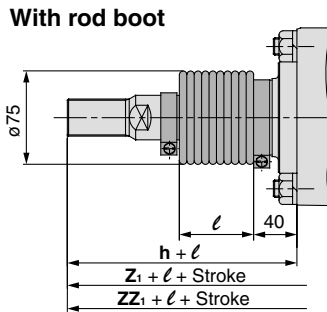
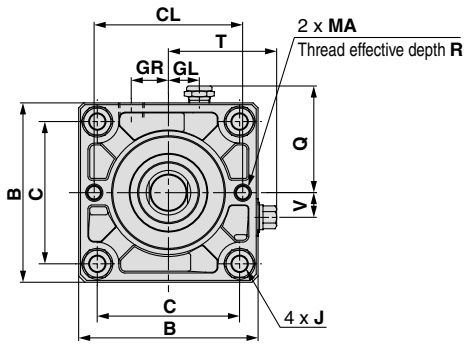
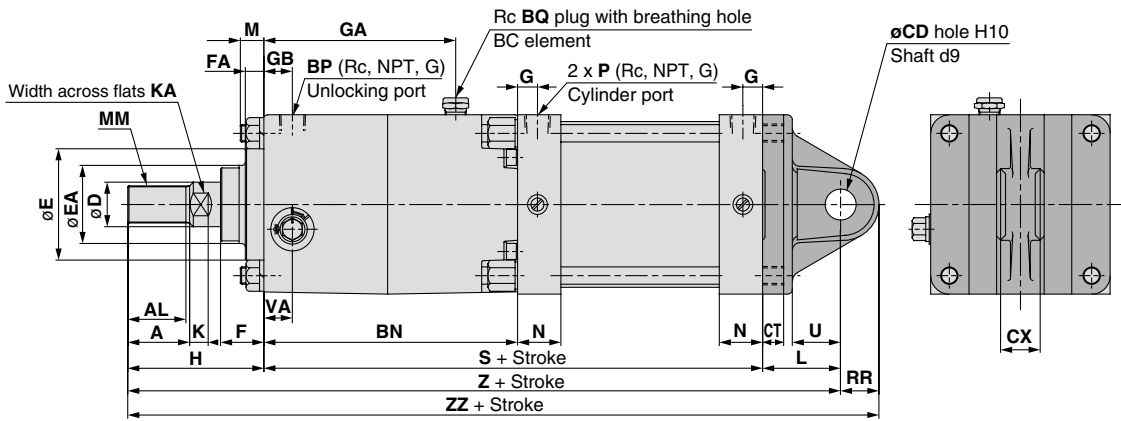
Bore size (mm)	Stroke range (mm)	ZZ <sub>1</sub>	ℓ	h
125	30 to 1000	450	0.2 stroke	133
140	30 to 1000	496	0.2 stroke	133
160	30 to 1200	557	0.2 stroke	141

- D-□
- X□
- Individual
- X□

# Series CNS

## Dimensions

### Single clevis style (C): CNSC



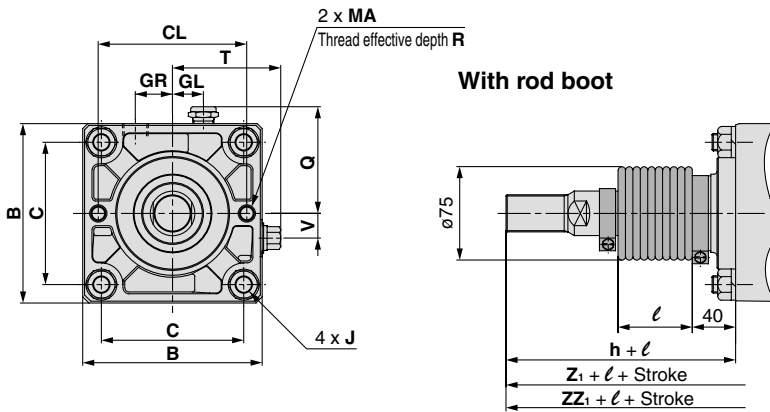
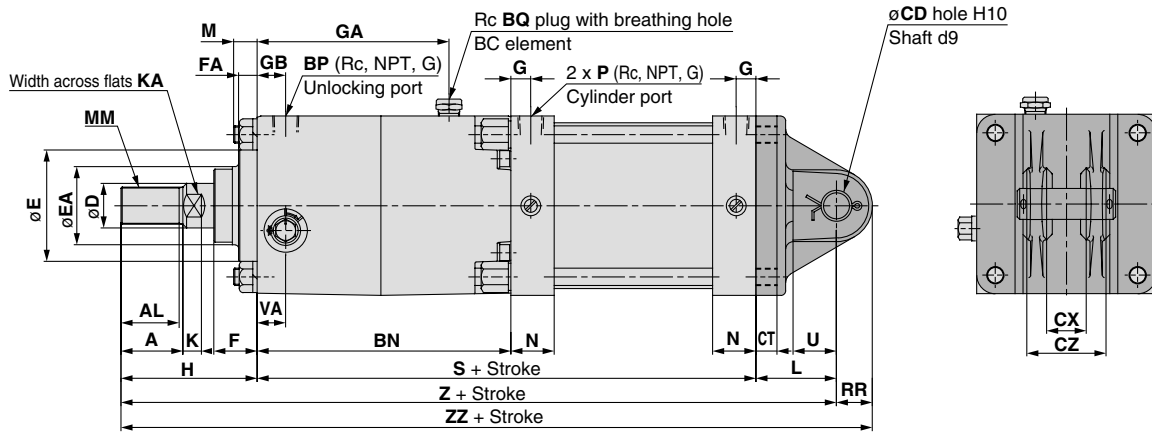
Bore size (mm)	Stroke range (mm)	A	AL	B	BN	BP	BQ	C	CD <sub>H10</sub>	CL	CT	CX	D	E	EA	F	FA	G	GA	GB	GL
125	Up to 1000	50	47	145	205	1/2	3/8	115	25 <sup>+0.084</sup> <sub>0</sub>	120	17	32 <sup>-0.1</sup> <sub>-0.3</sub>	36	90	63	35	14	16	155	23	25
140	Up to 1000	50	47	161	245	1/2	3/8	128	28 <sup>+0.084</sup> <sub>0</sub>	136	17	36 <sup>-0.1</sup> <sub>-0.3</sub>	36	90	63	35	14	16	180	28	30
160	Up to 1200	56	53	182	290	1/2	3/8	144	32 <sup>+0.100</sup> <sub>0</sub>	144	20	40 <sup>-0.1</sup> <sub>-0.3</sub>	40	90	63	43	14	18.5	215	35	35

Bore size (mm)	GR	J	K	KA	L	M	MA	MM	N	P	Q	R	RR	S	T	U	V	VA	H	Z	ZZ
125	30	M14 x 1.5	15	31	65	19	M12 x 1.75	M30 x 1.5	35	1/2	85.5	25	29	303	87.5	35	20	23	110	478	507
140	30	M14 x 1.5	15	31	75	19	M12 x 1.75	M30 x 1.5	35	1/2	93.5	25	32	343	95	40	20	28	110	528	560
160	35	M16 x 1.5	17	36	80	22	M12 x 1.75	M36 x 1.5	39	3/4	104	25	36	396	109	45	25	35	120	596	632

### With Rod Boot (mm)

Bore size (mm)	Stroke range (mm)	Z <sub>1</sub>	ZZ <sub>1</sub>	ℓ	h
125	30 to 1000	501	530	0.2 stroke	133
140	30 to 1000	551	583	0.2 stroke	133
160	30 to 1200	617	653	0.2 stroke	141

Double clevis style (D): CNSD



- CLJ2
- CLM2
- CLG1
- CL1
- MLGC
- CNG
- MNB
- CNA
- CNS**
- CLS
- CLQ
- RLQ
- MLU
- MLGP
- ML1C

Bore size (mm)	Stroke range (mm)	A	AL	B	BN	BP	BQ	C	CD <sub>H10</sub>	CL	CT	CX	CZ	D	E	EA	F	FA
125	Up to 1000	50	47	145	205	1/2	3/8	115	25 <sup>+0.084</sup> <sub>0</sub>	120	17	32 <sup>+0.3</sup> <sub>+0.1</sub>	64 <sup>0</sup> <sub>-0.2</sub>	36	90	63	35	14
140	Up to 1000	50	47	161	245	1/2	3/8	128	28 <sup>+0.084</sup> <sub>0</sub>	136	17	36 <sup>+0.3</sup> <sub>+0.1</sub>	72 <sup>0</sup> <sub>-0.2</sub>	36	90	63	35	14
160	Up to 1200	56	53	182	290	1/2	3/8	144	32 <sup>+0.100</sup> <sub>0</sub>	144	20	40 <sup>+0.3</sup> <sub>+0.1</sub>	80 <sup>0</sup> <sub>-0.2</sub>	40	90	63	43	14

Bore size (mm)	G	GA	GB	GL	GR	J	K	KA	L	M	MA	MM	N	P	Q	R	RR	S	T
125	16	155	23	25	30	M14 x 1.5	15	31	65	19	M12 x 1.75	M30 x 1.5	35	1/2	85.5	25	29	303	87.5
140	16	180	28	30	30	M14 x 1.5	15	31	75	19	M12 x 1.75	M30 x 1.5	35	1/2	93.5	25	32	343	95
160	18.5	215	35	35	35	M16 x 1.5	17	36	80	22	M12 x 1.75	M36 x 1.5	39	3/4	104	25	36	396	109

Bore size (mm)	U	V	VA	H	Z	ZZ
125	35	20	23	110	478	507
140	40	20	28	110	528	560
160	45	25	35	120	596	632

Bore size (mm)	Stroke range (mm)	Z <sub>1</sub>	ZZ <sub>1</sub>	ℓ	h
125	30 to 1000	501	530	0.2 stroke	133
140	30 to 1000	551	583	0.2 stroke	133
160	30 to 1200	617	653	0.2 stroke	141

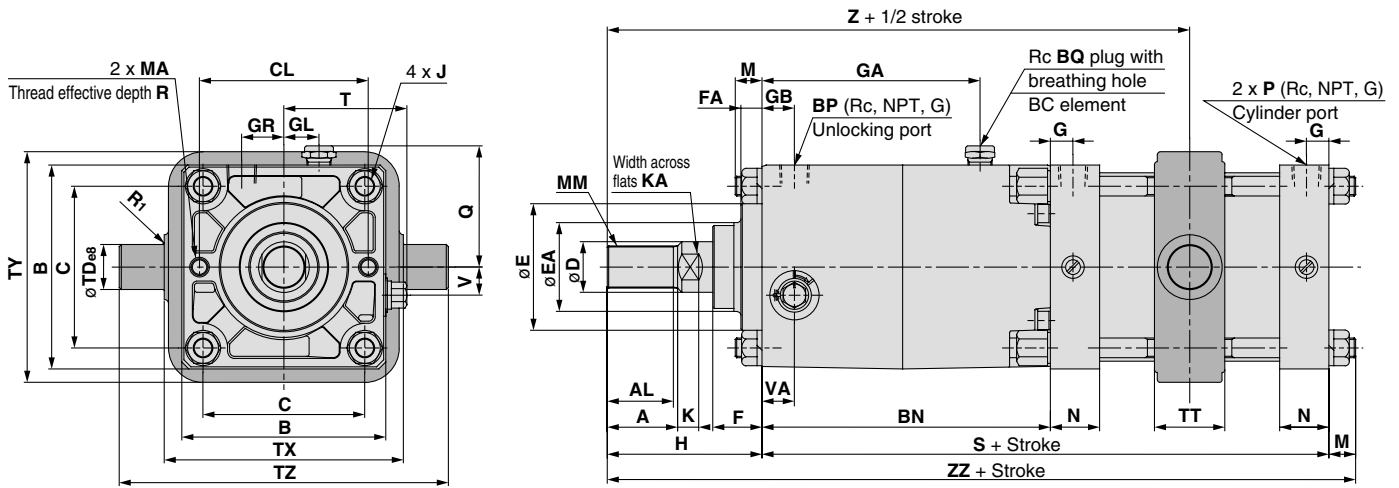
\* Clevis pin and cotter pin are shipped together.

- D-□
- X□
- Individual -X□

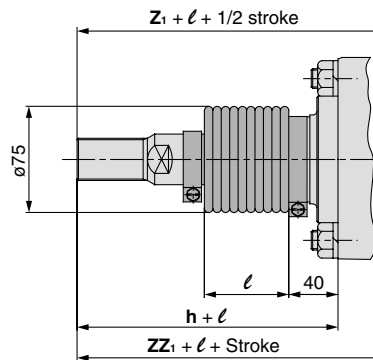
# Series CNS

## Dimensions

### Center trunnion style (T): CNST



### With rod boot



Bore size (mm)	Stroke range (mm)	A	AL	B	BN	BP	BQ	C	CL	D	E	EA	F	FA	G	GA	GB	GL	GR	J	K	KA
125	25 to 1000	50	47	145	205	1/2	3/8	115	120	36	90	63	35	14	16	155	23	25	30	M14 x 1.5	15	31
140	30 to 1000	50	47	161	245	1/2	3/8	128	136	36	90	63	35	14	16	180	28	30	30	M14 x 1.5	15	31
160	35 to 1200	56	53	182	290	1/2	3/8	144	144	40	90	63	43	14	18.5	215	35	35	35	M16 x 1.5	17	36

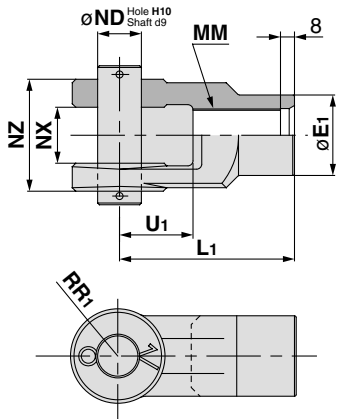
Bore size (mm)	M	MA	MM	N	P	Q	R	R <sub>1</sub>	S	T	TD <sub>es</sub>	TT	TX	TY	TZ	V	VA	H	Z	ZZ
125	19	M12 x 1.75	M30 x 1.5	35	1/2	85.5	25	1	303	87.5	32 <sup>-0.050</sup> <sub>-0.089</sub>	50	170	164	234	20	23	110	364	432
140	19	M12 x 1.75	M30 x 1.5	35	1/2	93.5	25	1.5	343	95	36 <sup>-0.050</sup> <sub>-0.089</sub>	55	190	184	262	20	28	110	404	472
160	22	M12 x 1.75	M36 x 1.5	39	3/4	104	25	1.5	396	109	40 <sup>-0.050</sup> <sub>-0.089</sub>	60	212	204	292	25	35	120	463	538

### With Rod Boot

Bore size (mm)	Stroke range (mm)	Z <sub>1</sub>	ZZ <sub>1</sub>	l	h
125	30 to 1000	387	455	0.2 stroke	133
140	30 to 1000	427	495	0.2 stroke	133
160	35 to 1200	484	559	0.2 stroke	141

# Accessory Bracket Dimensions 1

## Y Type Double Knuckle Joint

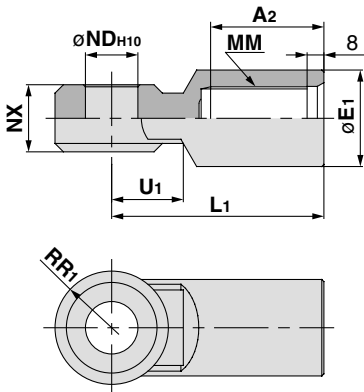


Material: Cast iron

Part no.	Applicable bore size (mm)	E1	L1	MM	NDH10	NX	NZ	RR1	U1
Y-12	125	46	100	M30 x 1.5	25 <sup>+0.084</sup> <sub>0</sub>	32 <sup>+0.3</sup> <sub>+0.1</sub>	64 <sup>-0.1</sup> <sub>-0.3</sub>	27	42
Y-14	140	48	105	M30 x 1.5	28 <sup>+0.084</sup> <sub>0</sub>	36 <sup>+0.3</sup> <sub>+0.1</sub>	72 <sup>-0.1</sup> <sub>-0.3</sub>	30	47
Y-16	160	55	110	M36 x 1.5	32 <sup>+0.1</sup> <sub>0</sub>	40 <sup>+0.3</sup> <sub>+0.1</sub>	80 <sup>-0.1</sup> <sub>-0.3</sub>	34	46

\* Knuckle pins and cotter pins are included.

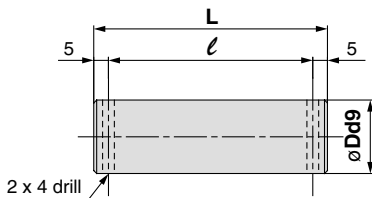
## I Type Single Knuckle Joint



Material: Cast iron

Part no.	Applicable bore size (mm)	A2	E1	L1	MM	NDH10	NX	RR1	U1
I-12	125	54	46	100	M30 x 1.5	25 <sup>+0.084</sup> <sub>0</sub>	32 <sup>-0.1</sup> <sub>-0.3</sub>	27	33
I-14	140	54	48	105	M30 x 1.5	28 <sup>+0.084</sup> <sub>0</sub>	36 <sup>-0.1</sup> <sub>-0.3</sub>	30	39
I-16	160	60	55	110	M36 x 1.5	32 <sup>+0.1</sup> <sub>0</sub>	40 <sup>-0.1</sup> <sub>-0.3</sub>	34	39

## Clevis Pin/Knuckle Pin

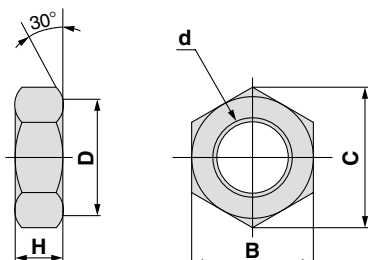


Material: Carbon steel

Part no.	Applicable bore size (mm)	Dd9	L	ℓ	Applicable cotter pin
IY-12	125	25 <sup>-0.065</sup> <sub>-0.117</sub>	79.5	69.5	Ø4 x 40 ℓ
IY-14	140	28 <sup>-0.065</sup> <sub>-0.117</sub>	86.5	76.5	Ø4 x 40 ℓ
IY-16	160	32 <sup>-0.080</sup> <sub>-0.142</sub>	94.5	84.5	Ø4 x 40 ℓ

\* Cotter pins (2 pcs.) are included.

## Rod End Nut



Material: Rolled steel

Part no.	Applicable bore size (mm)	d	H	B	C	D
NT-12	125, 140	M30 x 1.5	18	46	53.1	44
NT-16	160	M36 x 1.5	21	55	63.5	53

CLJ2

CLM2

CLG1

CL1

MLGC

CNG

MNB

CNA

CNS

CLS

CLQ

RLQ

MLU

MLGP

ML1C

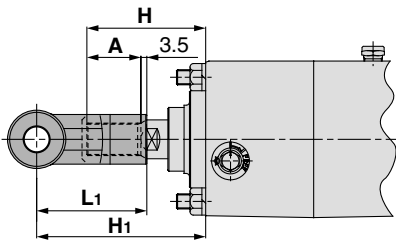
D-□

-X□

Individual  
-X□

# Accessory Bracket Dimensions 2

## Single/Double Knuckle Joint Mounting



Bore size (mm)	Symbol	H	A	L1	H1	Applicable knuckle joint part no.	
						I type single knuckle	Y type double knuckle
125		110	50	100	156.5	I-12	Y-12
140		110	50	105	161.5	I-14	Y-14
160		120	56	110	170.5	I-16	Y-16

### A, H Dimensions When Mounting a Single/Double Knuckle Joint together with a Rod End Nut

Bore size (mm)	A	H
125	65	125
140	65	125
160	76	140

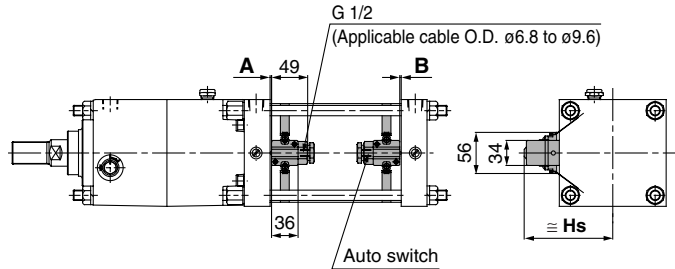
- \* Single knuckle joint and double knuckle joint should be used separately. (Fasten by screwing completely into the rod end threads.)
- \* Extend the dimensions of **A** and **H**, when using a single/double knuckle joint together with a rod end nut. For extension of **A** and **H** dimensions, refer to the table above and specify "Simple Specials -XA0" (page 1836).



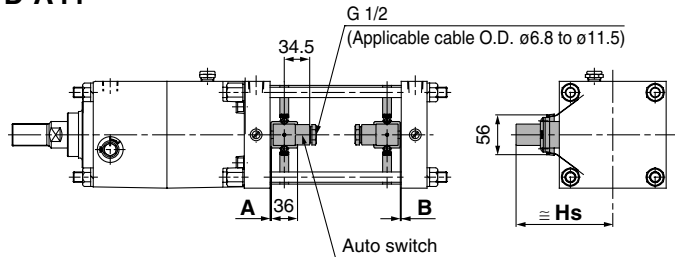
**Auto Switch Proper Mounting Position (Detection at Stroke End) and Its Mounting Height**

<Band mounting style>

D-A3□  
D-G39/K39

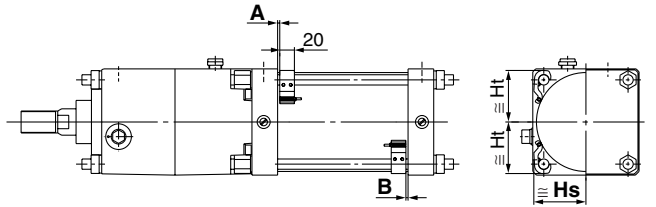


D-A44

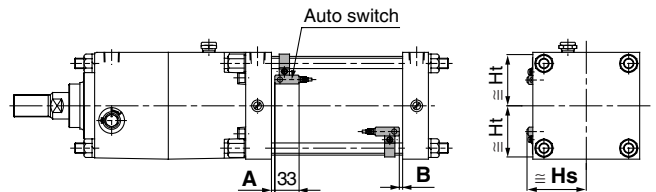


<Tie-rod mounting style>

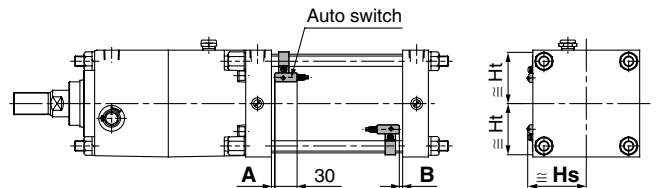
D-A9□/A9□V      D-Z7□/Z80  
D-M9□/M9□V      D-Y59□/Y69□/Y7P/Y7PV  
D-M9□W/M9□WV      D-Y7□W/Y7□WV  
D-M9□AL/M9□AVL      D-Y7BAL



D-A5□/A6□



D-F5□/J5□/D-F5NTL  
D-F5BAL/F59F  
D-F5□W/J59W



- CLJ2
- CLM2
- CLG1
- CL1
- MLGC
- CNG
- MNB
- CNA
- CNS**
- CLS
- CLQ
- RLQ
- MLU
- MLGP
- ML1C

**Auto Switch Proper Mounting Position**

Auto switch model	D-A9□ D-A9□V		D-M9□ D-M9□V D-M9□W D-M9□WV D-M9□AL D-M9□AVL		D-Z7□/Z80 D-Y5□/Y6□ D-Y7P D-Y7PV D-Y7□W D-Y7□WV D-Y7BAL		D-A5□ D-A6□ D-A3□ D-A44 D-G39 D-K39		D-A59W		D-F5□W D-J59W D-F5BAL D-F5□ D-J5□ D-F59F		D-F5NTL	
	A	B	A	B	A	B	A	B	A	B	A	B	A	B
Bore size (mm)														
125	4	4	8	8	1.5	1.5	0	0	2	2	4.5	4.5	9.5	9.5
140	4	4	8	8	1.5	1.5	0	0	2	2	4.5	4.5	9.5	9.5
160	4	4	8	8	1.5	1.5	0	0	2	2	4.5	4.5	9.5	9.5

\* The above shown are the proper auto switch mounting positions for detection at stroke end. Adjust the auto switch after confirming the operating conditions in the actual setting.

**Auto Switch Mounting Height**

Auto switch model	D-A9□ D-A9□V D-M9□ D-M9□W D-M9□AL		D-M9□V D-M9□WV D-M9□AVL		D-Z7□/Z80 D-Y5□/Y6□ D-Y7P D-Y7PV D-Y7□W D-Y7□WV D-Y7BAL		D-A3□ D-G39 D-K39	D-A44	D-A5□ D-A6□ D-A59W		D-F5□ D-J5□ D-F5□W D-J59W D-F5BAL D-F59F D-F5NTL	
	Hs	Ht	Hs	Ht	Hs	Ht	Hs	Hs	Hs	Ht	Hs	Ht
Bore size (mm)												
125	69	69.5	71.5	69.5	69	69.5	116	126	75.5	69.5	74.5	70
140	76	76	77.5	76	76	76	124	134	81	76.5	80	76.5
160	85	85	86	85	85	85	134.5	144.5	89	87.5	88	87.5

- D-□
- X□
- Individual  
-X□

## Minimum Stroke for Auto Switch Mounting

Auto switch model	No. of auto switches mounted	Mounting brackets other than center trunnion	Center trunnion		
			n: Number of auto switch (mm)		
			ø125	ø140	ø160
D-A9□	2 (Different surfaces, Same surface) 1	15	100	105	110
	n	$15 + 40 \frac{(n-2)}{2}$ (n = 2, 4, 6, 8...)	$100 + 40 \frac{(n-4)}{2}$ (n = 4, 8, 12, 16...)	$105 + 40 \frac{(n-4)}{2}$ (n = 4, 8, 12, 16...)	$110 + 40 \frac{(n-4)}{2}$ (n = 4, 8, 12, 16...)
D-A9□V	2 (Different surfaces, Same surface) 1	10	75	80	85
	n	$10 + 30 \frac{(n-2)}{2}$ (n = 2, 4, 6, 8...)	$75 + 30 \frac{(n-4)}{2}$ (n = 4, 8, 12, 16...)	$80 + 30 \frac{(n-4)}{2}$ (n = 4, 8, 12, 16...)	$85 + 30 \frac{(n-4)}{2}$ (n = 4, 8, 12, 16...)
D-M9□ D-M9□W	2 (Different surfaces, Same surface) 1	15	105	110	115
	n	$15 + 40 \frac{(n-2)}{2}$ (n = 2, 4, 6, 8...)	$105 + 40 \frac{(n-4)}{2}$ (n = 4, 8, 12, 16...)	$110 + 40 \frac{(n-4)}{2}$ (n = 4, 8, 12, 16...)	$115 + 40 \frac{(n-4)}{2}$ (n = 4, 8, 12, 16...)
D-M9□V D-M9□WV	2 (Different surfaces, Same surface) 1	10	80	85	90
	n	$10 + 30 \frac{(n-2)}{2}$ (n = 2, 4, 6, 8...)	$80 + 30 \frac{(n-4)}{2}$ (n = 4, 8, 12, 16...)	$85 + 30 \frac{(n-4)}{2}$ (n = 4, 8, 12, 16...)	$90 + 30 \frac{(n-4)}{2}$ (n = 4, 8, 12, 16...)
D-M9□AL	2 (Different surfaces, Same surface) 1	20	115	120	
	n	$20 + 40 \frac{(n-2)}{2}$ (n = 2, 4, 6, 8...)	$115 + 40 \frac{(n-4)}{2}$ (n = 4, 8, 12, 16...)	$120 + 40 \frac{(n-4)}{2}$ (n = 4, 8, 12, 16...)	
D-M9□AVL	2 (Different surfaces, Same surface) 1	15	90	95	
	n	$15 + 30 \frac{(n-2)}{2}$ (n = 2, 4, 6, 8...)	$90 + 30 \frac{(n-4)}{2}$ (n = 4, 8, 12, 16...)	$95 + 30 \frac{(n-4)}{2}$ (n = 4, 8, 12, 16...)	
D-A5/A6 D-A59W D-F5□/J5□ D-F5□W D-J59W D-F5BAL D-F59F	2 (Different surfaces, Same surface) 1	25	125	135	
	n (Same surface)	$25 + 55 \frac{(n-2)}{2}$ (n = 2, 4, 6, 8...)	$125 + 55 \frac{(n-4)}{2}$ (n = 4, 8, 12, 16...)	$135 + 55 \frac{(n-4)}{2}$ (n = 4, 8, 12, 16...)	
D-F5NTL	2 (Different surfaces, Same surface) 1	35	145	155	
	n (Same surface)	$35 + 55 \frac{(n-2)}{2}$ (n = 2, 4, 6, 8...)	$145 + 55 \frac{(n-4)}{2}$ (n = 4, 8, 12, 16...)	$155 + 55 \frac{(n-4)}{2}$ (n = 4, 8, 12, 16...)	
D-A3□ D-G39 D-K39	2	Different surfaces	35	110	
		Same surface	100		
	n	Different surfaces	$35 + 30(n-2)$	$110 + 30(n-2)$ (n = 2, 4, 6, 8...)	
		Same surface	$100 + 100(n-2)$	$110 + 100(n-2)$ (n = 2, 4, 6, 8...)	
1		15	110		
D-A44	2	Different surfaces	35	110	
		Same surface	55		
	n	Different surfaces	$35 + 30(n-2)$	$110 + 30(n-2)$ (n = 2, 4, 6, 8...)	
		Same surface	$55 + 55(n-2)$	$110 + 50(n-2)$ (n = 2, 4, 6, 8...)	
1		15	110		
D-Z7□ D-Z80 D-Y59□ D-Y7P D-Y7□W	2 (Different surfaces, Same surface) 1	15	105	110	115
	n	$15 + 40 \frac{(n-2)}{2}$ (n = 2, 4, 6, 8...)	$105 + 40 \frac{(n-4)}{2}$ (n = 4, 8, 12, 16...)	$110 + 40 \frac{(n-4)}{2}$ (n = 4, 8, 12, 16...)	$115 + 40 \frac{(n-4)}{2}$ (n = 4, 8, 12, 16...)
D-Y69□ D-Y7PV D-Y7□WV	2 (Different surfaces, Same surface) 1	10	90	95	100
	n	$10 + 30 \frac{(n-2)}{2}$ (n = 2, 4, 6, 8...)	$90 + 30 \frac{(n-4)}{2}$ (n = 4, 8, 12, 16...)	$95 + 30 \frac{(n-4)}{2}$ (n = 4, 8, 12, 16...)	$100 + 30 \frac{(n-4)}{2}$ (n = 4, 8, 12, 16...)
D-Y7BAL	2 (Different surfaces, Same surface) 1	20	115	120	125
	n	$20 + 45 \frac{(n-2)}{2}$ (n = 2, 4, 6, 8...)	$115 + 45 \frac{(n-4)}{2}$ (n = 4, 8, 12, 16...)	$120 + 45 \frac{(n-4)}{2}$ (n = 4, 8, 12, 16...)	$125 + 45 \frac{(n-4)}{2}$ (n = 4, 8, 12, 16...)

## Operating Range

Auto switch model	Bore size (mm)		
	125	140	160
D-A9□/A9□V	12	12.5	11.5
D-M9□/M9□V D-M9□W/M9□WV D-M9□AL/M9□AVL	7	6.5	6.5
D-Z7□/Z80	14	14.5	13
D-A3□/A44 D-A5□/A6□	10	10	10
D-A59W	17	17	17
D-Y59□/Y69□ D-Y7P/Y7PV D-Y7□W/Y7□WV D-Y7BAL	12	13	7
D-F59F/F5□/J5□ D-F5□W/J59W D-F5BAL/F5NTL	5	5	5.5
D-G39/K39	11	11	10

\* Since the operating range is provided as a guideline including hysteresis, it cannot be guaranteed (assuming approximately ±30% dispersion). It may vary substantially depending on an ambient environment.

## Auto Switch Mounting Bracket: Part No.

Auto switch model	Bore size (mm)		
	ø125	ø140	ø160
D-A9□/A9□V D-M9□/M9□V D-M9□W/M9□WV D-M9□AL/M9□AVL	BS5-125	BS5-125	BS5-160
D-A5/A6/A59W D-F5□/J5□/F5NTL D-F5□W/J59W D-F5BAL/F59F	BT-12	BT-12	BT-16
D-A3□/A44 D-G39/K39	BS1-125	BS1-140	BS1-160
D-Z7□/Z80 D-Y59□/Y69□ D-Y7P/Y7PV D-Y7□W/Y7□WV D-Y7BAL	BS4-125	BS4-125	BS4-160

### [Mounting screw set made of stainless steel]

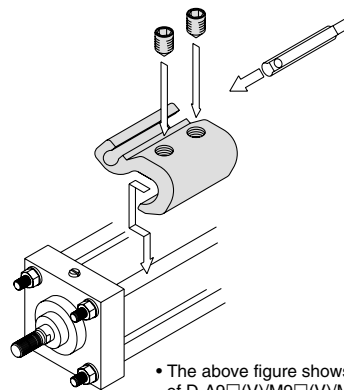
The following set of mounting screws made of stainless steel (including nuts) is available. Use it in accordance with the operating environment. (Please order the auto switch mounting bracket separately, since it is not included.)

BBA1: For D-A5/A6/F5/J5 types

D-F5BAL auto switch is set on the cylinder with the stainless steel screws above when shipped. When an auto switch is shipped independently, BBA1 is attached.

Note 1) Refer to page 1821 for the details of BBA1.

Note 2) When using D-M9□A(V)L/Y7BAL, do not use the steel set screws which is included with the auto switch mounting brackets above (BS5-□□□, BS4-□□□). Order a stainless steel screw set (BBA1) separately, and select and use the M4 x 8L stainless steel set screws included in the BBA1.



• The above figure shows the mounting example of D-A9□(V)/M9□(V)/M9□W(V)/M9□A(V)L.

Other than the applicable auto switches listed in "How to Order", the following auto switches can be mounted. For detailed specifications, refer to pages 1719 to 1827.

Auto switch type	Model	Electrical entry (Fetching direction)	Features
Reed	D-A90V	Grommet (Perpendicular)	Without indicator light
	D-A93V, A96V		—
	D-Z73, Z76		—
	D-A53, A56	Grommet (In-line)	Without indicator light
	D-A64, A67		—
	D-Z80		—
Solid state	D-M9NV, M9PV, M9BV	Grommet (Perpendicular)	—
	D-Y69A, Y69B, Y7PV		—
	D-M9NWV, M9PWV, M9BWW		2-color indication
	D-Y7NWV, Y7PWV, Y7BWW		Water resistant (2-color indication)
	D-M9NAVL, M9PAVL, M9BAVL		—
	D-F59, F5P, J59		—
	D-Y59A, Y59B, Y7P	Grommet (In-line)	2-color indication
	D-F59W, F5PW, J59W		—
	D-Y7NW, Y7PW, Y7BW		2-color indication
	D-F5BAL, Y7BAL		Water resistant (2-color indication)
	D-F5NTL		With timer
	—		—

\* With pre-wired connector is available for solid state auto switches. For details, refer to pages 1784 and 1785.

\* Normally closed (NC = b contact), solid state auto switch (D-F9G/F9H/Y7G/Y7H types) are also available. For details, refer to pages 1746 and 1748.

CLJ2

CLM2

CLG1

CL1

MLGC

CNG

MNB

CNA

CNS

CLS

CLQ

RLQ

MLU

MLGP

ML1C

D-□

-X□

Individual  
-X□



# Series CNS Specific Product Precautions 1

Be sure to read before handling. Refer to front matters 42 and 43 for Safety Instructions and pages 3 to 11 for Actuator and Auto Switch Precautions.

## Design of Equipment and Machinery

### Warning

1. Construct so that the human body will not come into direct contact with driven objects or the moving parts of the cylinders with lock.

Devise a safe structure by attaching protective covers that prevent direct contact with the human body, or in cases where there is a danger of contact, provide sensors or other devices to perform an emergency stop, etc., before contact occurs.

2. Use a balance circuit, taking cylinder lurching into consideration.

In cases such as an intermediate stop, where a lock is operated at a desired position within the stroke and air pressure is applied from only one side of the cylinder, the piston will lurch at high speed when the lock is released. In such situations, there is a danger of causing human injury by having hands or feet, etc. caught, and also a danger for causing damage to the equipment. In order to prevent this lurching, a balance circuit such as the recommended pneumatic circuits (page 777) should be used.

## Selection

### Warning

1. When in the locked state, do not apply a load accompanied by an impact shock, strong vibration or turning force, etc.

Use caution, because an external action such as an impacting load, strong vibration or turning force, may damage the locking mechanism or reduce its life.

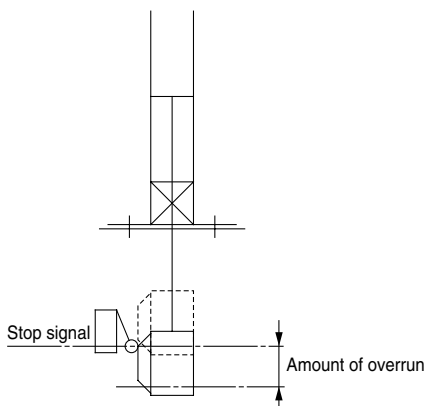
2. Consider stopping accuracy and the amount of over-run when an intermediate stop is performed.

Due to the nature of a mechanical lock, there is a momentary lag with respect to the stop signal, and a time delay occurs before stopping. The cylinder stroke resulting from this delay is the overrun amount. The difference between the maximum and minimum overrun amounts is the stopping accuracy.

- Place a limit switch before the desired stopping position, at a distance equal to the overrun amount.
- The limit switch must have a detection length (dog length) of the overrun amount +  $\alpha$ .
- SMC's auto switches have operating ranges from 8 to 14 mm (depending on the switch model).

When the overrun amount exceeds this range, self-holding of the contact should be performed at the switch load side.

\*For stopping accuracy, refer to page 761.



## Selection

### Warning

3. In order to further improve stopping accuracy, the time from the stop signal to the operation of the lock should be shortened as much as possible.

To accomplish this, use a device such as a highly responsive electric control circuit or solenoid valve driven by direct current, and place the solenoid valve as close as possible to the cylinder.

4. Note that the stopping accuracy will be influenced by changes in piston speed.

When piston speed changes during the course of the cylinder stroke due to variations in the load or disturbances, etc., the dispersion of stopping positions will increase. Therefore, consideration should be given to establishing a standard speed for the piston just before it reaches the stopping position.

Moreover, the dispersion of stopping positions will increase during the cushioned portion of the stroke and during the accelerating portion of the stroke after the start of operation, due to the large changes in piston speed.

5. The holding force (max. static load) indicates the maximum capability to hold a static load without loads, vibration and impact. This does not indicate a load that can be held in ordinary conditions.

Select the most suitable bore sizes for the operating conditions in accordance with the selection procedures. The Model Selection (pages 758 and 759) is based on use at the intermediate stop (including emergency stops during the operation). However, when the cylinder is in a locked state, kinetic energy does not act upon it. Under these conditions, use the load mass at the maximum speed (V) of 100 mm/s shown in the graphs 5 to 7 on page 759 depending on the operating pressure and select models.

## Mounting

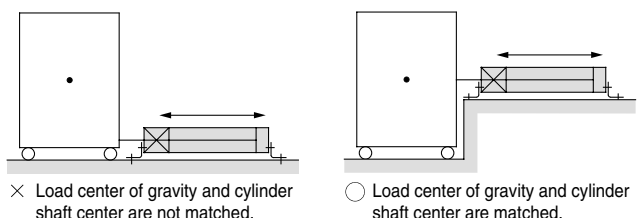
### Warning

1. Be certain to connect the rod end to the load with the lock released.

If connected in the locked state, a load greater than the turning force or holding force, etc. may operate on the piston rod and cause damage to the lock mechanism. Series CNS is equipped with an emergency unlocking mechanism; however, when connecting the rod end to the load, this should be done with the lock released. This can be accomplished by simply connecting an air line to the unlocking port and supplying air pressure of 0.25 MPa or more.

2. Do not apply offset loads to the piston rod.

Particular care should be taken to match the load's center of gravity with the center of the cylinder shaft. When there is a large discrepancy, the piston rod may be subjected to uneven wear or damage due to the inertial moment during locking stops.



Note) Can be used if all of the generated moment is absorbed by an effective guide.



# Series CNS Specific Product Precautions 2

Be sure to read before handling. Refer to front matters 42 and 43 for Safety Instructions and pages 3 to 11 for Actuator and Auto Switch Precautions.

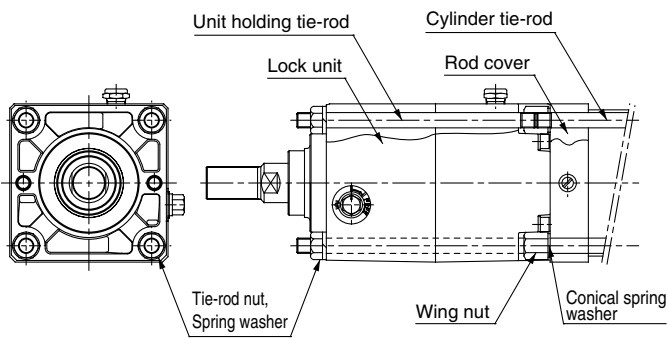
## Mounting

### ⚠ Caution

1. Caution on using the basic style or replacing the support bracket.

The lock unit and cylinder rod cover are assembled as shown in the figure below. For this reason, it cannot be installed as in the case of common air cylinders, by using the basic style and screwing the cylinder tie-rods directly to machinery.

Furthermore, when replacing mounting brackets, the unit holding tie-rods may get loosen. Tighten them once again in such a case.



Bore size (mm)	Tie-rod nut	Width across flats	Socket
125	JIS B 1181 Class 2 M14 x 1.5	22	JIS B 4636 + 2 point angle socket 22
140	JIS B 1181 Class 2 M14 x 1.5	22	JIS B 4636 + 2 point angle socket 22
160	JIS B 1181 Class 2 M16 x 1.5	24	JIS B 4636 + 2 point angle socket 24

## Adjustment

### ⚠ Caution

1. Adjust the cylinder's air balance.

Balance the load by adjusting the air pressure in the rod and head sides of the cylinder with the load connected to the cylinder and the lock released. Lurching of the cylinder when unlocked can be prevented by carefully adjusting this air balance.

2. Adjust the mounting positions of the detectors on auto switches, etc.

When intermediate stops are to be performed, adjust the mounting positions of detectors on auto switches, etc., taking into consideration the overrun amount with respect to the desired stopping positions.

## Pneumatic Circuit

### ⚠ Warning

1. Be certain to use an pneumatic circuit which will apply balancing pressure to both sides of the piston when in a locked stop.

In order to prevent cylinder lurching after a lock stop, when restarting or when manually unlocking, a circuit should be used to which will apply balancing pressure to both sides of the piston, thereby canceling the force generated by the load in the direction of piston movement.

2. Use a solenoid valve for unlocking which has a large effective area, as a rule 50% or more of the effective area of the cylinder drive solenoid valve.

The larger the effective area is, the shorter the locking time will be (the overrun amount will be shorter), and stopping accuracy will be improved.

3. Place the solenoid valve for unlocking close to the cylinder, and no farther than the cylinder drive solenoid valve.

The shorter the distance from the cylinder (the shorter the piping), the shorter the overrun amount will be, and stopping accuracy will be improved.

4. Allow at least 0.5 seconds from a locked stop (intermediate stop of the cylinder) until release of the lock.

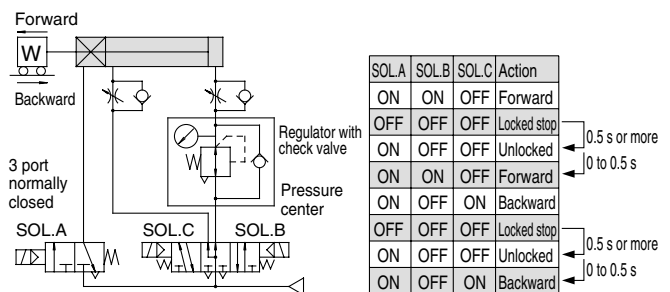
When the locked stop time is too short, the piston rod (and load) may lurch at a speed greater than the control speed of the speed controller.

5. When restarting, control the switching signal for the unlocking solenoid valve so that it acts before or at the same time as the cylinder drive solenoid valve.

If the signal is delayed, the piston rod (and load) may lurch at a speed greater than the control speed of the speed controller.

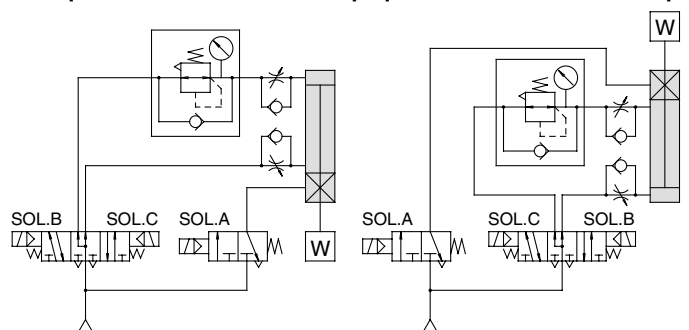
6. Basic circuit

- 1) [Horizontal]



- 2) [Vertical]

[Load in the direction of rod extension]      [Load in the direction of rod retraction]



CLJ2

CLM2

CLG1

CL1

MLGC

CNG

MNB

CNA

CNS

CLS

CLQ

RLQ

MLU

MLGP

ML1C

D-□

-X□

Individual  
-X□



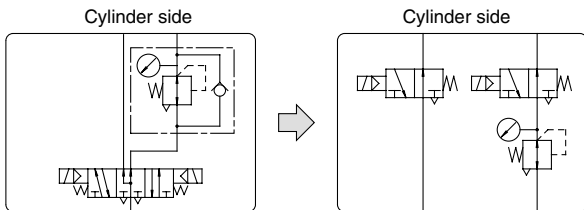
# Series CNS Specific Product Precautions 3

Be sure to read before handling. Refer to front matters 42 and 43 for Safety Instructions and pages 3 to 11 for Actuator and Auto Switch Precautions.

## Pneumatic Circuit

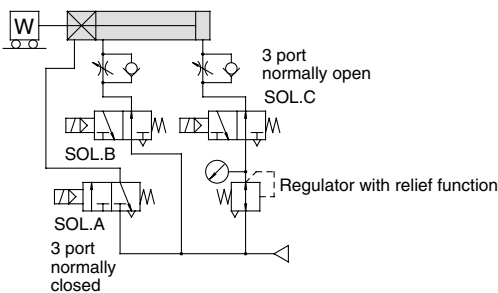
### ⚠ Caution

1. A 3 position pressure center solenoid valve and regulator with check valve can be replaced with two 3 port normally open valves and a regulator with relief function.



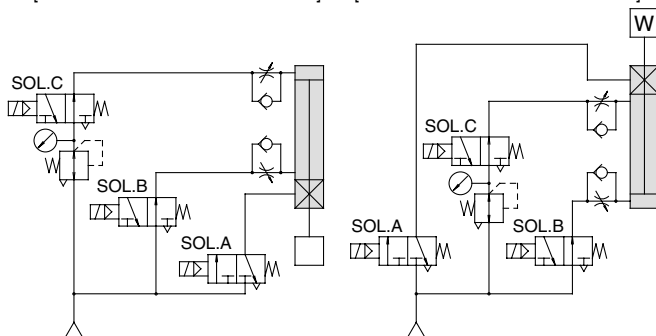
### [Example]

1. [Horizontal]



2. [Vertical]

[Load in the direction of rod extension]      [Load in the direction of rod retraction]



## Manually Unlocking

### ⚠ Warning

1. Never operate the unlocking cam until safety has been confirmed. (Do not turn to the FREE side.)
  - When unlocking is performed with air pressure applied to only one side of the cylinder, the moving parts of the cylinder will lurch at high speed causing a serious hazard.
  - When unlocking is performed, be sure to confirm that personnel are not within the load movement range and that no other problems will occur if the load moves.
2. Before operating the unlocking cam, exhaust any residual pressure which is in the system.
3. Take measures to prevent the load from dropping when unlocking is performed.
  - Perform work with the load in its lowest position.
  - Take measures for drop prevention by strut, etc.
  - Confirm that balanced pressure is applied to both sides of the piston.

### ⚠ Caution

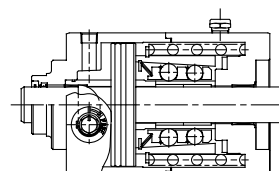
1. The unlocking cam is an emergency unlocking mechanism only.
 

During an emergency when the air supply is stopped or cut off, this is used to alleviate a problem by forcibly pushing back the release piston and brake spring to release the lock.
2. When installing the cylinder into equipment or performing adjustments, etc., be sure to apply air pressure of 0.25 MPa or more to the unlocking port, and do not perform work using the unlocking cam.
3. When releasing the lock with the unlocking cam, it must be noted that the sliding resistance of the cylinder will be high, unlike normal unlocking with air pressure.

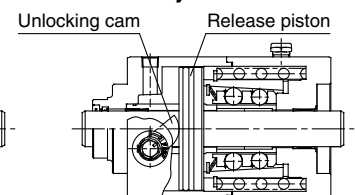
Bore size (mm)	Cylinder sliding resistance (N)	Cam unlocking torque (standard) (N·m)	Width across flats (mm)	Socket
125	961	68.6	16	JIS B 4636 + 2 point angle socket 16
140	1216	78.4	18	JIS B 4636 + 2 point angle socket 18
160	1579	156.8	21	JIS B 4636 + 2 point angle socket 21

4. Do not turn the unlocking cam (the arrow or mark on the unlocking cam head) past the position marked FREE. If it is turned too far, there is a danger of damaging the unlocking cam.
5. For safety reasons, the unlocking cam is constructed so that it cannot be fixed in the unlocked condition.

Locked state



Manually unlocked state



### [Principle]

If the unlocking cam is turned clockwise with an adjustable angle wrench or socket wrench, etc., the release piston is pushed back and the lock is released. Since the lever will return to its original position and become locked again when it is released, it should be held in this position for as long as unlocking is required.



# Series CNS Specific Product Precautions 4

Be sure to read before handling. Refer to front matters 42 and 43 for Safety Instructions and pages 3 to 11 for Actuator and Auto Switch Precautions.

## Maintenance

### ⚠ Caution

#### 1. Lock units for Series CNS are replaceable.

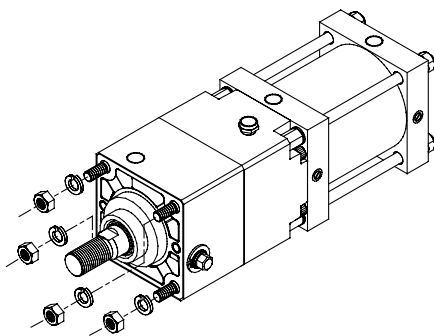
To order replacement lock units for Series CNS, use the order numbers given in the table below.

Bore size (mm)	Lock unit part no.
125	CNS125D-UA
140	CNS140D-UA
160	CNS160D-UA

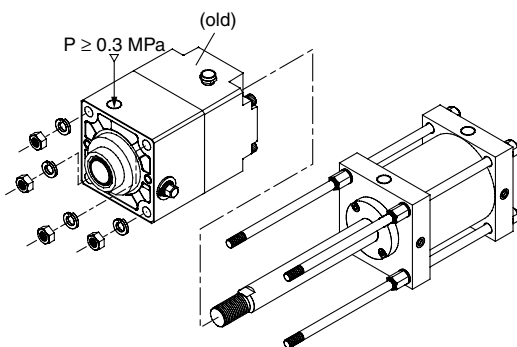
#### 2. How to replace lock unit

- Loosen the tie-rod nuts (4 pcs.) in the cylinder rod side by using a socket wrench.  
For the applicable socket, refer to the table below.

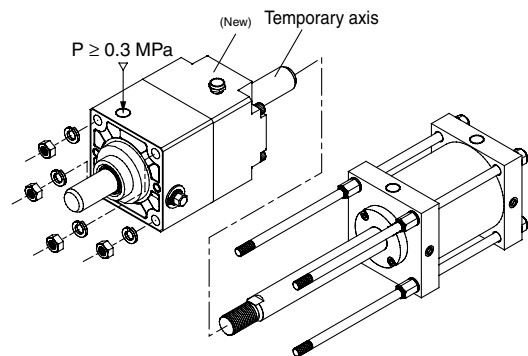
Bore size (mm)	Nut	Width across flats	Socket
125, 140	JIS B 1181 Class 2 M14 x 1.5	22	JIS B 4636 + 2 point angle socket 22
160	JIS B 1181 Class 2 M16 x 1.5	24	JIS B 4636 + 2 point angle socket 24



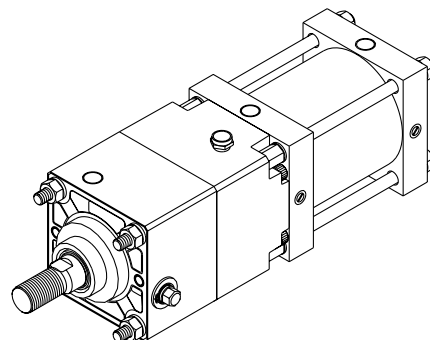
- Apply compressed air of 0.3 MPa or more to the unlocking port, and remove the lock unit.



- Similarly, apply 0.3 MPa or more of compressed air to the unlocking port of the new lock unit, and replace the new lock unit's temporary axis with the previous piston rod assembly.



- Tighten the tie-rod nuts (4 pcs.) on the rod side of the cylinder using a socket wrench.



### ⚠ Warning

**Never disassemble a lock unit of Series CNS.**

- Since a heavy duty spring is contained in the unit, there is a serious hazard, such as the possibility of parts being ejected, if disassembly is performed incorrectly. Therefore, do not loosen or remove the hexagon socket head cap screws which secure cover A and cover B.
- Be sure to contact SMC regarding disassembly or repair, etc.

CLJ2

CLM2

CLG1

CL1

MLGC

CNG

MNB

CNA

**CNS**

CLS

CLQ

RLQ

MLU

MLGP

ML1C

D-□

-X□

Individual  
-X□