

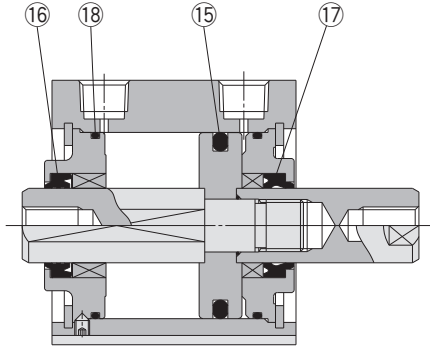
Series CQ2KW

ø12, ø16
ø20, ø25
ø32, ø40
ø50, ø63

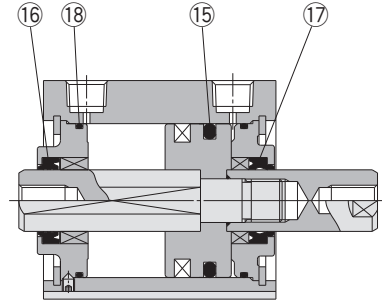
Replacement
Procedure is
P.290

Construction

Standard (ø40 to ø63)



Without auto switch



With auto switch

* The numbers are the same as the "Construction" of the CQ2 series catalog (CAT.ES20-205).

Seal Kit List

No.	Description	Material	Note
15	Piston seal	NBR	
16	Rod seal for non-rotating		
17	Rod seal		
18	Gasket		

Replacement Parts: Seal Kit

Bore size (mm)	Kit no.	Contents
12	CQ2KWB12-PS	Set of left nos. 15, 16, 17, 18.
16	CQ2KWB16-PS	
20	CQ2KWB20-PS	
25	CQ2KWB25-PS	
32	CQ2KWB32-PS	
40	CQ2KWB40-PS	
50	CQ2KWB50-PS	
63	CQ2KWB63-PS	

* Seal kit includes 15, 16, 17, 18. Order the seal kit, based on each bore size.

* Since the seal kit does not include a grease pack, order it separately.
Grease pack part no.: GR-S-010 (10 g)

Actuators

Modular F.R.L.
Pressure Control Equipment

Air Preparation
Equipment

Industrial Filters

Replacement
Procedure

Actuators

Modular F.R.L.
Pressure Control Equipment

Industrial Filters