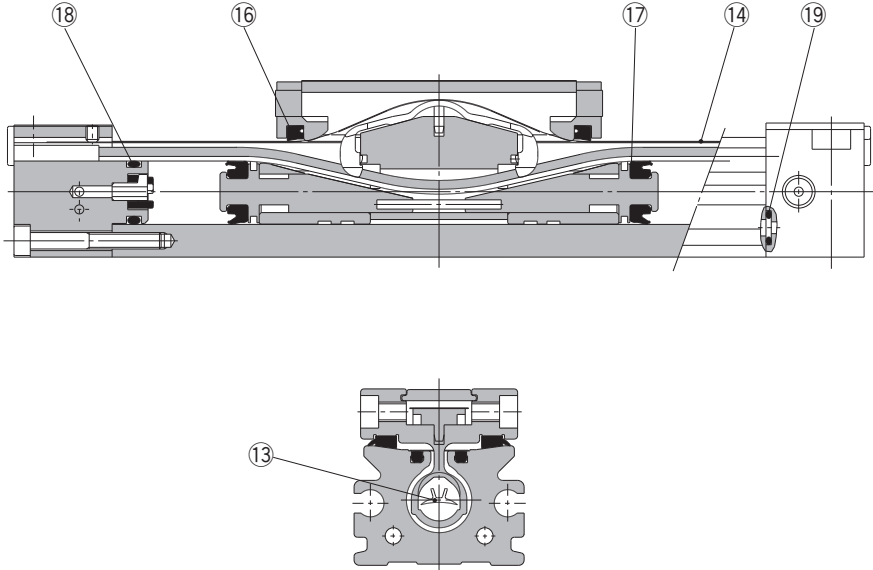


Series MY1B $\phi 10$

Replacement
Procedure is
P.304

Construction

Centralized piping type: $\phi 10$



* The numbers are the same as the "Construction" of the Best Pneumatics No.2 Series MY1B.

Replacement Parts: Seal Kit

No.	Description	Qty.	MY1B10	Note
13	Seal belt	1	MY10-16A- <u>Stroke</u>	13 and 14 are not included in the seal kit. Order them as required with by individual part numbers.
14	Dust seal band	1	MY10-16B- <u>Stroke</u>	
16	Scraper	2	MY1B10-PS	
17	Piston seal	2		
18	Tube gasket	2		
19	O-ring	4		

* Seal kit includes 16, 17, 18 and 19.

Seal kit includes a grease pack (10 g).

When 13 and 14 are shipped independently, a grease pack is included. (10 g per 1000 strokes)

Order with the following part number when only the grease pack is needed.

Grease pack part no.: GR-S-010 (10 g), GR-S-020 (20 g)

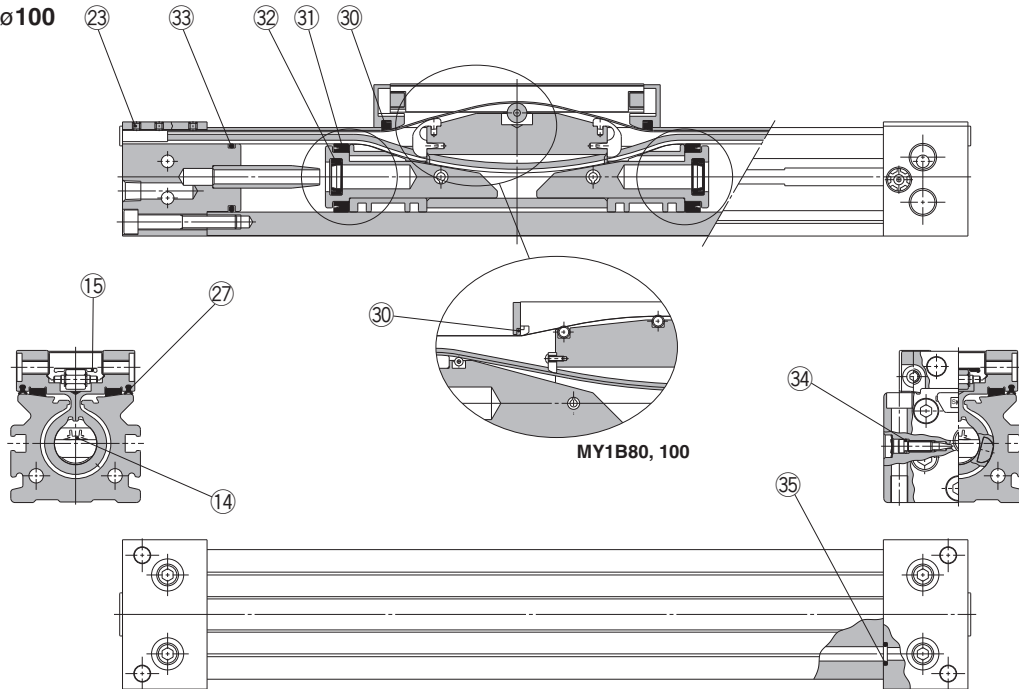
Series MY1B

ø16, ø20, ø25, ø32
ø40, ø50, ø63, ø80
ø100

Replacement
Procedure is
P.304

Construction

ø16 to ø100



* The numbers are the same as the "Construction" of the Best Pneumatics No.2 Series MY1B.

Replacement Parts: Seal Kit

No.	Description	Qty.	MY1B16	MY1B20	MY1B25	MY1B32	MY1B40
14	Seal belt	1	MY16-16A-Stroke	MY20-16A-Stroke	MY25-16A-Stroke	MY32-16A-Stroke	MY40-16A-Stroke
15	Dust seal band	1	MY16-16B-Stroke	MY20-16B-Stroke	MY25-16B-Stroke	MY32-16B-Stroke	MY40-16B-Stroke
27	Side scraper	2	—	MYB20-15CA7164B	MYB25-15BA5900B	MYB32-15BA5901B	MYB40-15BA5902B
34	O-ring	2	KA00309 (ø4 x ø1.8 x ø1.1)	KA00309 (ø4 x ø1.8 x ø1.1)	KA00311 (ø5.1 x ø3 x ø1.05)	KA00320 (ø7.15 x ø3.75 x ø1.7)	KA00320 (ø7.15 x ø3.75 x ø1.7)
30	Scraper	2					
31	Piston seal	2					
32	Cushion seal	2	MY1B16-PS	MY1B20-PS	MY1B25-PS	MY1B32-PS	MY1B40-PS
33	Tube gasket	2					
35	O-ring	4					

No.	Description	Qty.	MY1B50	MY1B63	MY1B80	MY1B100	Note
14	Seal belt	1	MY50-16A-Stroke	MY63-16A-Stroke	MY80-16A-Stroke	MY100-16A-Stroke	14, 15, 27 and 34 are not included in the seal kit. Order them as required with by individual part numbers.
15	Dust seal band	1	MY50-16B-Stroke	MY63-16B-Stroke	MY80-16B-Stroke	MY100-16B-Stroke	
27	Side scraper	2	MYB50-15CA7165B	MYB63-15CA7166B	MYB80-15CK2470B	MY100-15CK2471B	
34	O-ring	2	KA00402 (ø8.3 x ø4.5 x ø1.9)	KA00777 —	KA00050 —	KA00050 —	
30	Scraper	2					
31	Piston seal	2					
32	Cushion seal	2	MY1B50-PS	MY1B63-PS	MY1B80-PS	MY1B100-PS	
33	Tube gasket	2					
35	O-ring	4					

* Seal kit includes 30, 31, 32, 33 and 35. Order the seal kit based on each bore size.

* Seal kit includes a grease pack (10 g).

When 14 and 15 are shipped independently, a grease pack is included. (10 g per 1000 strokes)

Order with the following part number when only the grease pack is needed.

Grease pack part no.: GR-S-010 (10 g), GR-S-020 (20 g)

Note) Two kinds of dust seal bands are available. Verify the type to use, since the part number varies depending on the treatment of the hexagon socket head set screw 23.

A: Black zinc chromated → MY□□-16B-stroke, B: Nickel plated → MY□□-16BW-stroke