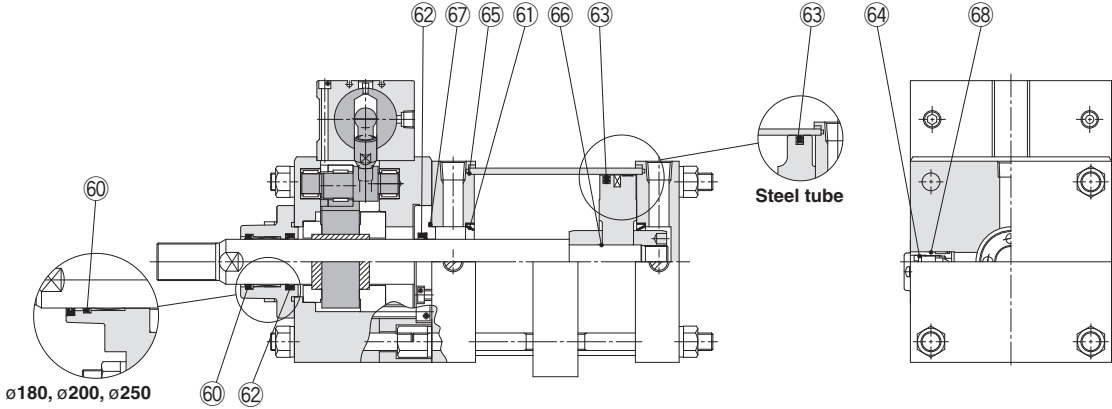


Series CLS

ø125, ø140, ø160
ø180, ø200, ø250

Replacement
Procedure is
P.358

Construction



* The numbers are the same as the "Construction" of the Best Pneumatics No.3 Series CLS.

Seal Kit List

No.	Description	Material	Note
60	Wiper ring	NBR	61, 66 and 68 are non-replaceable parts, so they are not included in the seal kit.
61	Cushion seal		
62	Rod seal		
63	Piston seal		
64	Valve seal		
65	Tube gasket		
66	Piston gasket		
67	Retaining plate gasket		
68	Guide gasket		

Replacement Parts: Seal Kit

Bore size (mm)	Order No.	Contents
125	CS1N125A-PS	Set of left nos. 60, 62, 63, 64, 65, 67
140	CS1N140A-PS	
160	CS1N160A-PS	
180	CS1N180A-PS	
200	CS1N200A-PS	
250	CS1N250A-PS	

* Since the lock section for Series CLS is normally replaced as a unit, replacement seal kits are for the cylinder section only.
 ** Seal kits are sets consisting of items 60, 62, 63, 64, 65 and 67, which can be ordered using the order number for each cylinder bore size.
 * Seal kit includes a grease pack (ø125 to ø160: 40 g, ø180, ø200: 50 g, ø250: 60 g).
 Order with the following part number when only the grease pack is needed.
Grease pack part no.: GR-S-010 (10 g), GR-S-020 (20 g)

* As for the center trunnion type, it is very difficult to adjust the position of the trunnion bracket and the center of the axis.
 Therefore repair at SMC is recommended.

Replacement Parts: Lock Unit

CLS 125 TN - UA - D A93

Bore size (mm)

Port thread type

Nil	Rc
TN	NPT
TF	G

Lock unit auto switch

Nil Without auto switch

* Refer to the table below for applicable auto switch models

Lock unit built-in magnet

Nil	Without magnet (Without auto switch)
D	Built-in magnet

Cylinder Unit/Applicable Auto Switches

Type	Special function	Electrical entry	Indicator light	Wiring (output)	Load voltage		Auto switch model	Lead wire length (m)			Applicable load		
					DC	AC		0.5 (Nil)	3 (L)	5 (Z)			
Solid state switch	—	Grommet	Yes	3-wire (NPN)	24 V	5 V, 12 V	—	M9N	●	●	○	—	Relay, PLC
				3-wire (PNP)				M9P	●	●	○		
				2-wire				M9B	●	●	○		
Reed switch	—	Grommet	no Yes	2-wire	24 V	5 V, 12 V 12 V	100 V or less 100 V	A90	●	●	—	IC circuit	Relay, PLC
								A93	●	●	●	—	