

Stopper Cylinder/Fixed Mounting Height

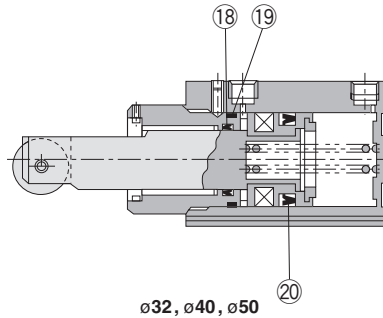
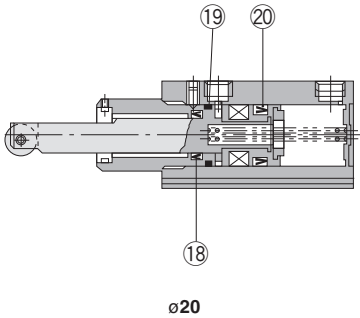
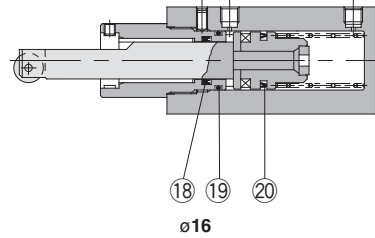
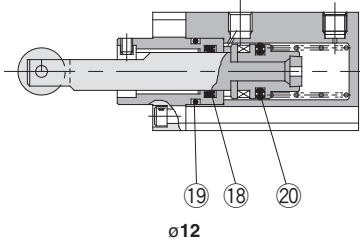
Series RSQ

ø12, ø16, ø20,
ø32, ø40, ø50

Replacement
Procedure is
P.385

Construction

Roller rod end



* The numbers are the same as the "Construction" of the Best Pneumatics No.3 Series RSQ.

Seal Kit List

No.	Description	Material	Note
18	Rod seal	NBR	
19	Gasket		
20	Piston seal		

Replacement Parts: Seal Kit

Bore size (mm)	Kit no.			Contents
	Double acting	Double acting with spring loaded	Single acting	
12	RSQ12D-PS	RSQ12T-PS		Set of left nos. 18, 19, 20
16	RSQ16D-PS	RSQ16B-PS	RSQ16T-PS	
20	RSQ20D-PS	RSQ20B-PS	RSQ20T-PS	
32	RSQ32D-PS	RSQ32B-PS	RSQ32T-PS	
40	RSQ40D-PS	RSQ40B-PS	RSQ40T-PS	
50	RSQ50D-PS	RSQ50B-PS	RSQ50T-PS	

* Seal kit includes 18, 19, 20. Order the seal kit, based on each bore size.

* Since the seal kit does not include a grease pack, order it separately.

Grease pack part no.: GR-S-010 (10 g)

Replacement Parts: Shock Absorber

Bore size (mm)	Kit no.
32	RB1007-X225
40, 50	RB1407-X552