

Series MGP

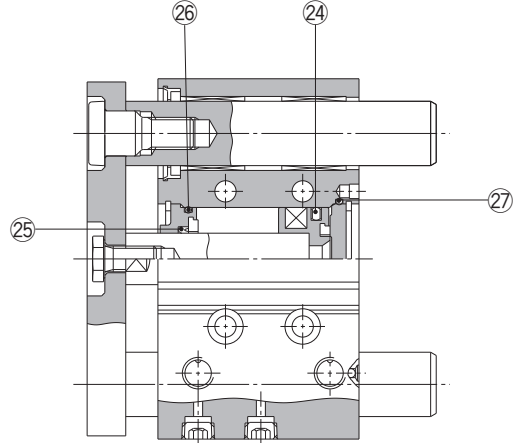
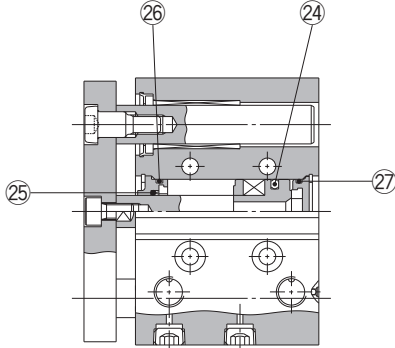
ø12, ø16, ø20, ø25, ø32
ø40, ø50, ø63, ø80, ø100



Construction

MGPM12 to 25

MGPM32 to 100



* The numbers are the same as the "Construction" of the Best Pneumatics No.3 Series MGP.

Seal Kit List

No.	Description	Material	Note
24	Piston seal	NBR	
25	Rod seal		
26	Gasket A		
27	Gasket B		

Replacement Parts: Seal Kit

Bore size (mm)	Kit no.	Contents
12	MGP12-PS	Set of left nos. 24, 25, 26, 27
16	MGP16-PS	
20	MGP20-PS	
25	MGP25-PS	
32	MGP32-PS	
40	MGP40-PS	
50	MGP50-PS	
63	MGP63-PS	
80	MGP80-PS	
100	MGP100-PS	

* Seal kit includes 24 to 27. Order the seal kit, based on each bore size.

* Since the seal kit does not include a grease pack, order it separately.

Grease pack part no.: GR-S-010 (10 g)

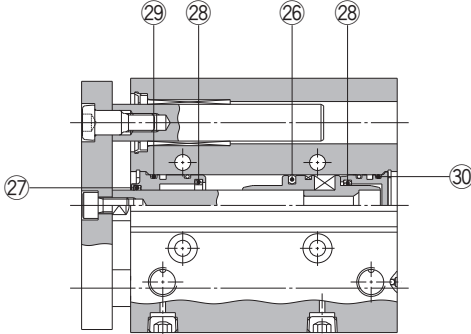
Series MGP

ø16, ø20, ø25, ø32,
ø40, ø50, ø63, ø80, ø100

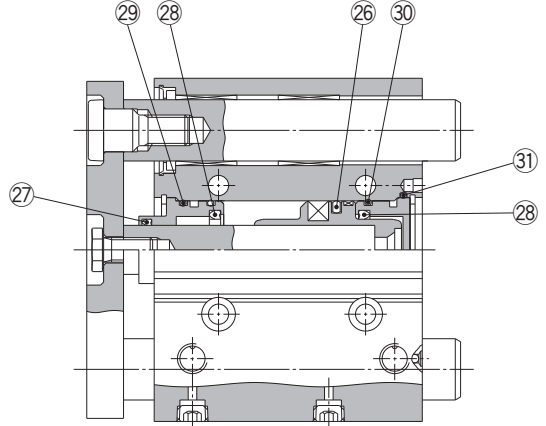
Replacement
Procedure is
P.333

Construction

MGPM16 to 25



MGPM32 to 100



* The numbers are the same as the "Construction" of the Best Pneumatics No.3 Series MGP.

Seal Kit List

No.	Description	Material	Note
26	Piston seal	NBR	
27	Rod seal	NBR	
28	Cushion seal	Urethane	
29	Gasket A	NBR	
30	Gasket B	NBR	
31	Gasket C	NBR	

Replacement Parts: Seal Kit

Bore size (mm)	Kit no.	Contents
16	MGP16-A-PS	Set of left nos. 26, 27, 28, 29, 30, 31
20	MGP20-A-PS	
25	MGP25-A-PS	
32	MGP32-A-PS	
40	MGP40-A-PS	
50	MGP50-A-PS	
63	MGP63-A-PS	
80	MGP80-A-PS	
100	MGP100-A-PS	

* Seal kit includes 26 to 31. Order the seal kit, based on each bore size.

* Since the seal kit does not include a grease pack, order it separately.

Grease pack part no.: GR-S-010 (10 g)

Actuators

Modular F.R.L.
Pressure Control Equipment

Air Preparation
Equipment

Industrial Filters

Replacement
Procedure

Actuators

Modular F.R.L.
Pressure Control Equipment

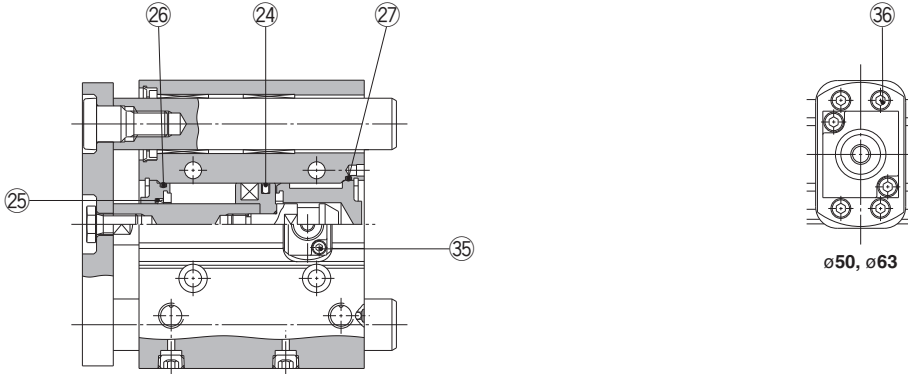
Industrial Filters

Series MGP

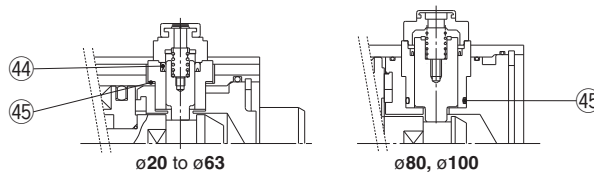
ø20, ø25, ø32, ø40
ø50, ø63, ø80, ø100



Construction



Non-locking type (Head end lock)



* The numbers are the same as the "Construction" of the Best Pneumatics No.3 Series MGP.

Seal Kit List

No.	Description	Material	Note
24	Piston seal	NBR	
25	Rod seal	NBR	
26	Gasket A	NBR	
27	Gasket B	NBR	
35	Hexagon socket head cap screw	Carbon steel	Black zinc chromated
36	Hexagon socket head cap screw	Carbon steel	Zinc chromated (ø50, ø63 only)
44	Lock piston seal	NBR	
45	Lock holder gasket	NBR	

Replacement Parts: Seal Kit

Bore size (mm)	Kit no.	Contents
20	MGP20-B-PS	Set of left nos. 24, 25, 26, 27, 35, 44, 45
25	MGP25-B-PS	
32	MGP32-B-PS	
40	MGP40-B-PS	
50	MGP50-B-PS	Set of left nos. 24, 25, 26, 27, 35, 36, 44, 45
63	MGP63-B-PS	
80	MGP80-B-PS	Set of left nos. 24, 25, 26, 27, 35, 44, 45
100	MGP100-B-PS	

* Each seal kit includes the parts listed above. Order the seal kit based on each bore size.

* Since the seal kit does not include a grease pack, order it separately.

Grease pack part no.: GR-S-010 (10 g)