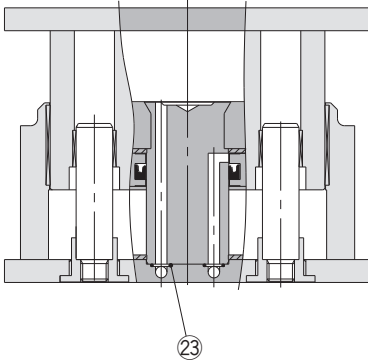


# Series MGF

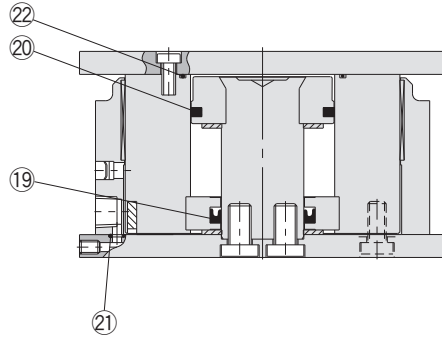
ø40, ø63, ø100



## Construction



When the cylinder is extended



When the cylinder is retracted

\* The numbers are the same as the "Construction" of the Best Pneumatics No.3 Series MGF.

### Seal Kit List

No.	Description	Material	Note
19	Rod seal	NBR	
20	Piston seal		
21	O-ring A		
22	O-ring B		
23	O-ring C		

### Replacement Parts: Seal Kit

Bore size (mm)	Kit no.	Contents
40	MGF 40-PS	Set of left nos. 19, 20, 21, 22, 23
63	MGF 63-PS	
100	MGF100-PS	

\* Seal kit is not compatible with the clean series.  
 Seal kit includes 19 to 23. Order the seal kit based on each bore size.  
 \* Since the seal kit does not include a grease pack, order it separately.  
**Grease pack part no.: GR-L-010 (10g)**