

# OnRobot Screwdriver



Complete plug-and-play automated Screwdriver offers **fast, out-of-the-box setup and deployment** with any leading robot

Highly versatile and flexible, with **fast change-overs for a wide range of screw sizes and lengths, for fast ROI**

**Expand your collaborative automation possibilities** with built-in protective functions

Smart screwdriver easily automates multiple screwdriving processes with everything you need right out of the box



## Features

**Complete electrical screwdriving solution**

**Embedded z-axis**

**Built-in protective functions**



## Capabilities

**External screw feeding** with 2 types of screw feeders available

Reduces robot arm movement and **simplifies programming**

Screws up to 35mm are withdrawn inside



## Benefits

**Fast and easy deployment and minimal downtime for changeovers**

**Save time, improve quality** and increases production efficiency

Extended **collaborative automation** possibilities

## OnRobot Screwdriver Applications

The OnRobot Screwdriver can be used with products of **various materials**, including:



Metal



Plastic



Wood



### Ideal Applications Include:



#### Assembly

Automated assembly processes with consistent, high-output results and protective functions for a safer collaborative application

## OnRobot Screwdriver

### Technical specifications

General Properties		Minimum	Typical	Maximum	Unit
Screw size range		M1.6	-	M6	
Torque range		0.15 / 0.11	-	5 / 3.68	[Nm] / [lbft]
Torque accuracy	If torque < 1.33Nm/0.98lbft	-	0.04 / 0.03	-	[Nm] / [lbft]
	If torque > 1.33Nm/0.98lbft	-	3	-	[%]
Output speed		-	-	340	[RPM]
Screw length within full safety		-	-	35 / 1.37	[mm] / [inch]
Shank stroke (screw axis)		-	-	55 / 2.16	[mm] / [inch]
Shank preload (adjustable)		0	10	25	[N]
Safety feature force		35	40	45	[N]
Motor (x2)		Integrated, electric BLDC			
IP Classification		IP54			
Dimensions		308x86x114 12.1x3.4x4.5		[mm] [inch]	
Weight		2.5 / 5.51		[kg] / [lb]	
Screw presenter sizes		M1.6 ; M2 ; M2.5 ; M3 ; M4 ; M5 ; M6			

## What to order for complete Screwdriver set



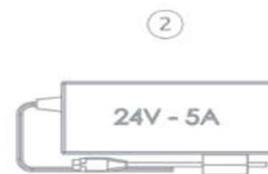
**\* NOTE**

Screw Feeder M1.6	M1.6 rail is included in Screw Feeder M1.6 and comes pre-mounted
Screw Feeder M2-M6	Order rail as separate item, rail is pre-mounted before shipping

## Screwdriver



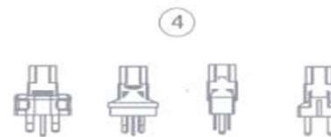
① Screwdriver



② Power supply

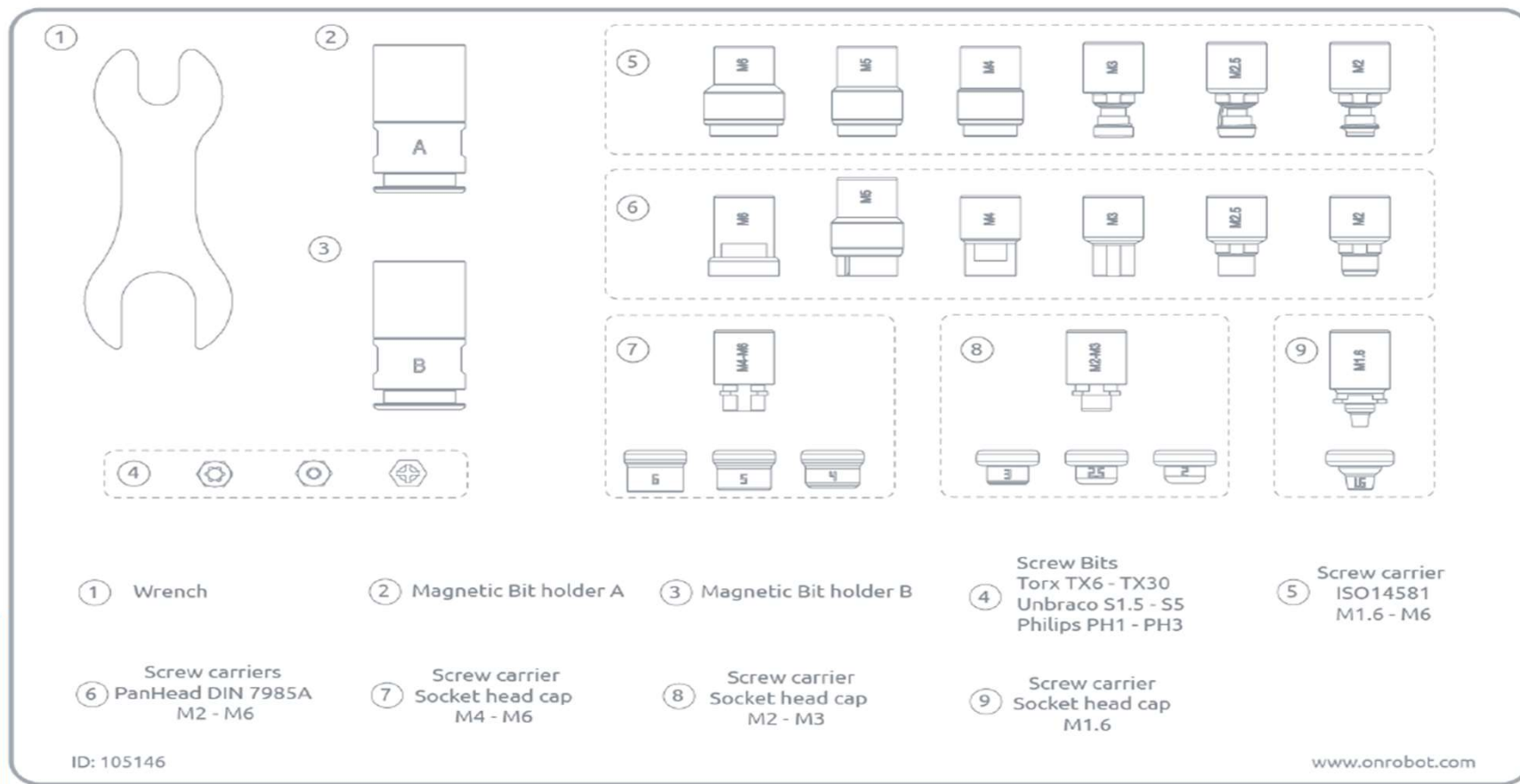


③ Power cord



④ EU, US, UK and AS Plugs

## Screwdriver accessory kit



① Wrench

② Magnetic Bit holder A

③ Magnetic Bit holder B

④ Screw Bits  
Torx TX6 - TX30  
Unbraco S1.5 - S5  
Philips PH1 - PH3

⑤ Screw carrier  
ISO14581  
M1.6 - M6

⑥ Screw carriers  
PanHead DIN 7985A  
M2 - M6

⑦ Screw carrier  
Socket head cap  
M4 - M6

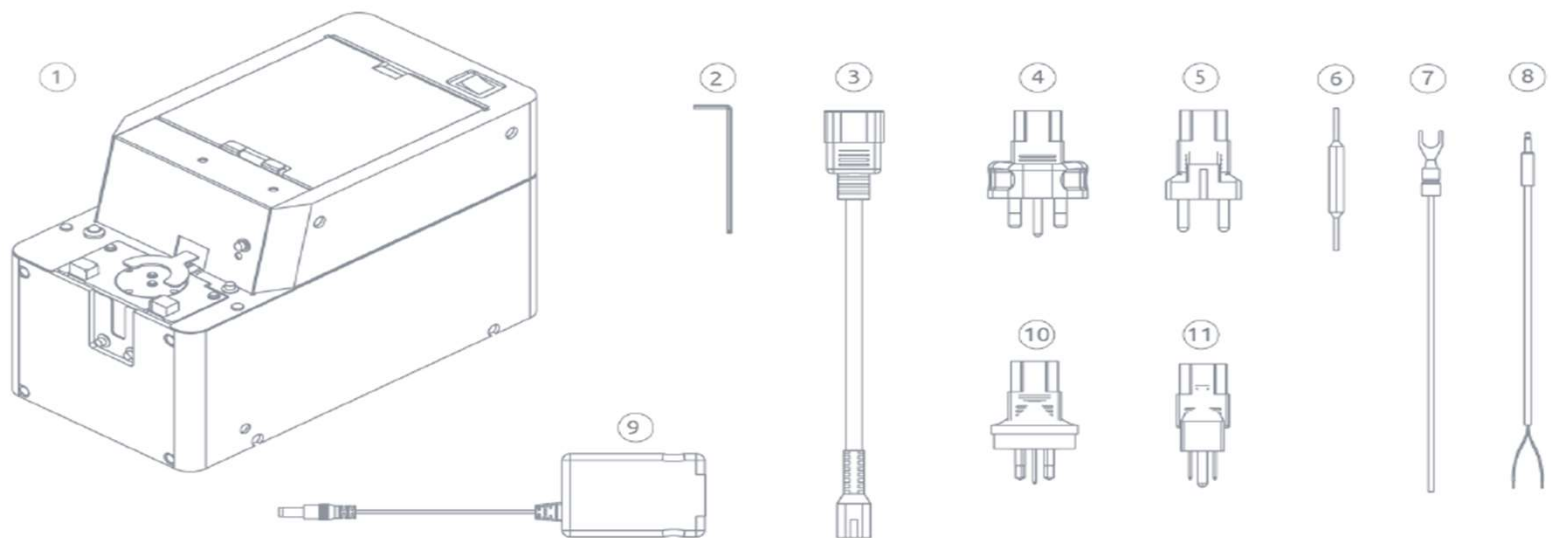
⑧ Screw carrier  
Socket head cap  
M2 - M3

⑨ Screw carrier  
Socket head cap  
M1.6

ID: 105146

www.onrobot.com

## Screw Feeder



① Screw presenter OM-26R    ② Metric Hex Key 2 mm

③ 2 poles Male C14 - C7  
2 pol 1,8 meter

④ UK Plug to C13

⑤ EU Plug to C13

⑥ Screwdriver

⑦ Grounding cable

⑧ Mini Jack to I/O - 1.8m

⑨ AC adapter 15V NSRI

⑩ AS Plug to C13

⑪ US Plug to C13