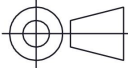
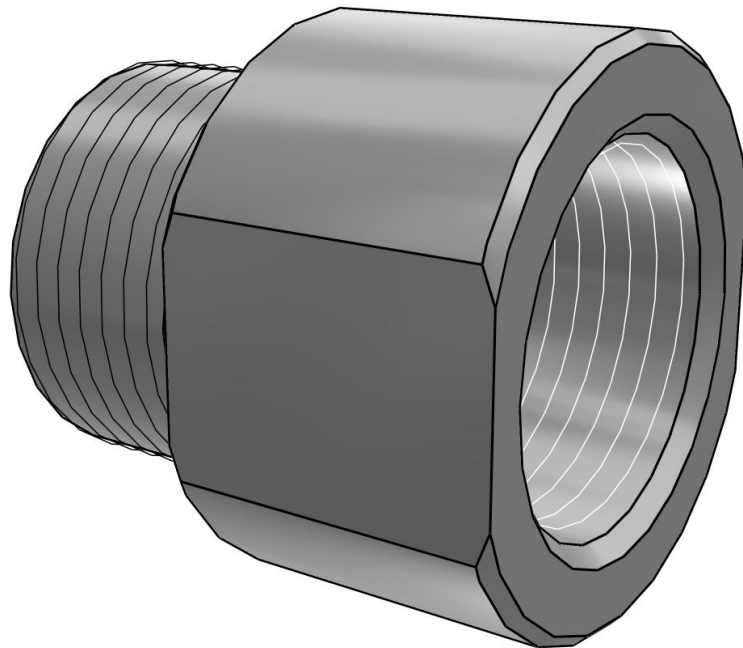


Projection		Scale	Free	DATE	07-26-2024
Drawing No.	HRS-EP018				

HRS-EP018(1_0)_HRSH090
Piping Conversion Fitting

3D View

To activate the interactive 3D view, you must trust this document (see hint on the top) in Adobe Acrobat and click on the question mark.



HRS-EP018(1_0)_HRSH090

Piping Conversion Fitting

Technical Data

MODEL (Model)	HRS-EP018
METHOD (Cooling method)	(A) Air-cooled refrigeration
THREAD1 (Pipe thread type)	(N) NPT (With Rc-NPT conversion fitting)
OPTION (Option)	(-) None
TYPE (Conversion fittings type)	(1) Conversion fittings for circulating fluid port
AC (Applicable model)	HRSH090-A-*
THREAD2 (Thread on/off)	on