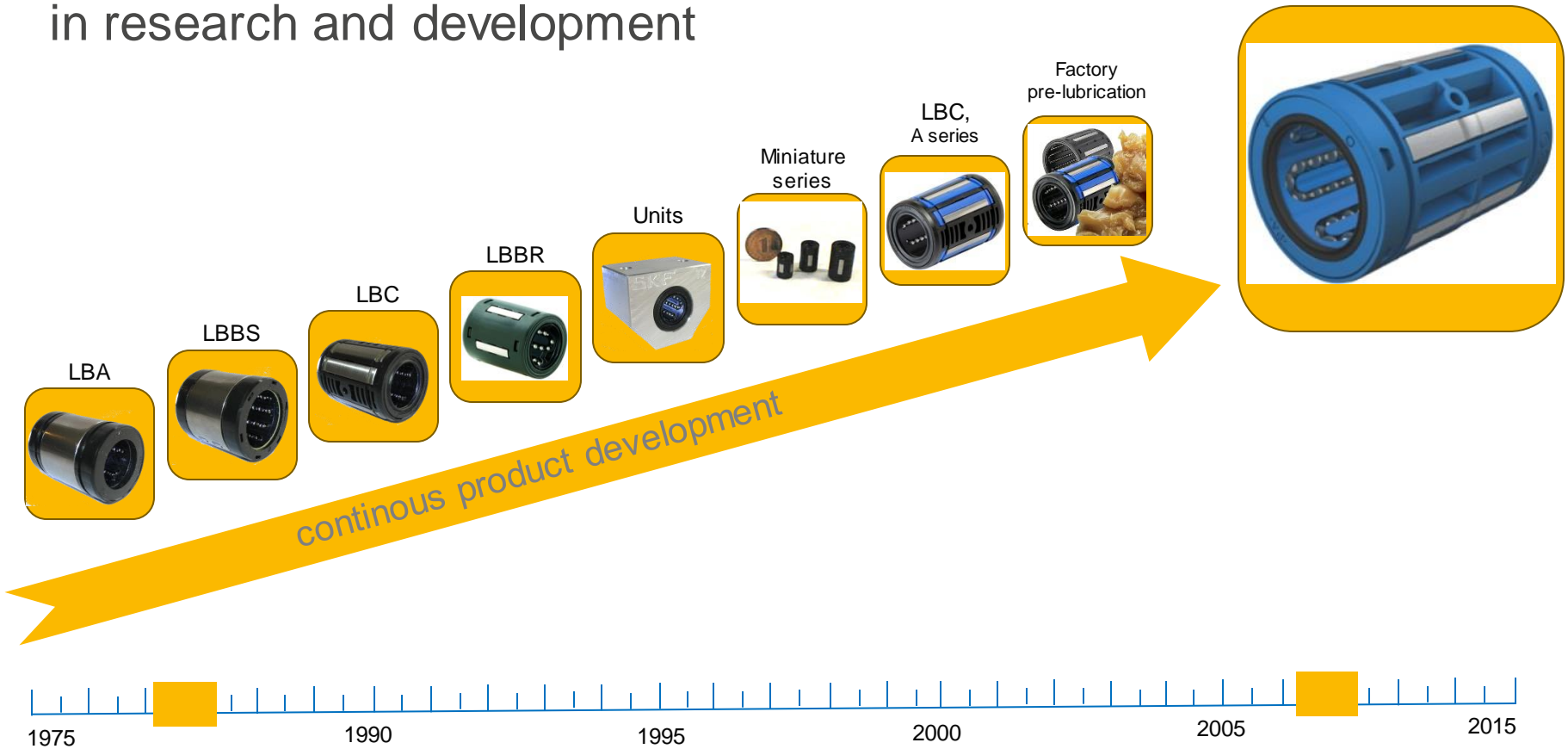


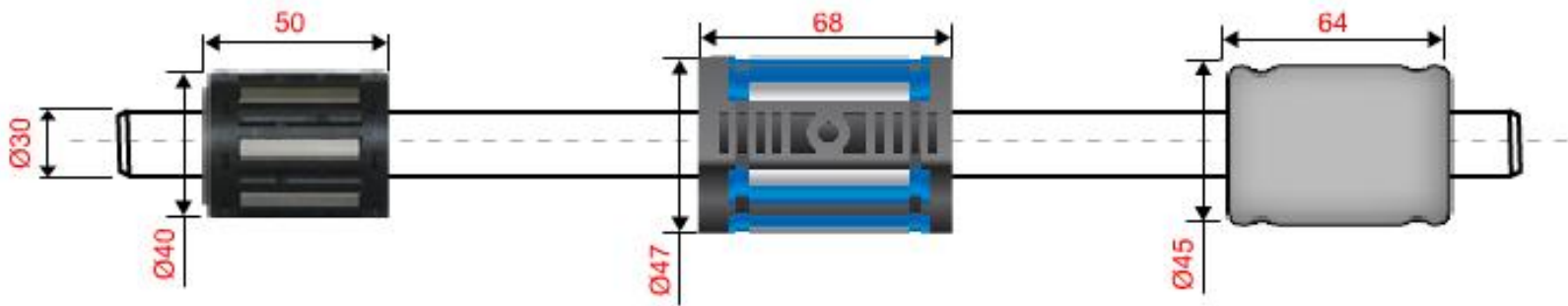
Product evolution

40 years of experience
in research and development

LBC, D series



ISO dimension series



ISO 1 LBB series

- Compact bearings design
- Good price / performance ratio
- Available through all major suppliers
- Common bearing in Europe

ISO 3 LBC series

- Heavy-duty design
- Available through all major suppliers
- Common bearing in Europe

ISO 5 -

- Not supplied by SKF

Linear ball bearings from SKF are manufactured according to the ISO 10285 standard. All boundary dimensions and tolerances are defined in this standard.

ISO 1 – LBB series, introduction



LBB series – compact design:

- Good cost / performance ratio
- Robust design
- Easy mounting

ISO 3 – LBC series, introduction

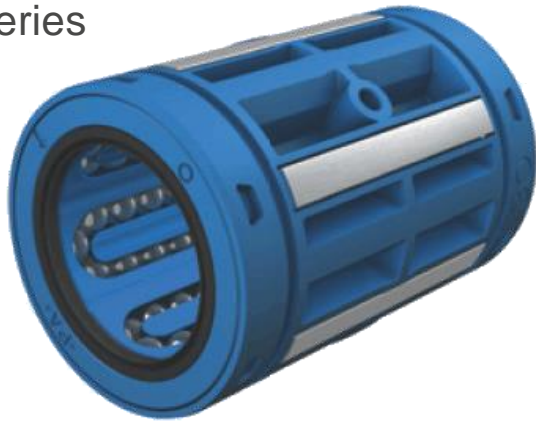
LBC-A series



LBC – standard design

- Higher load carrying capacity
- High running accuracy
- Very high dimensional stability
- Self-aligning capacity
- Open or closed design
- Easy to relubricate through the lubrication port(s)

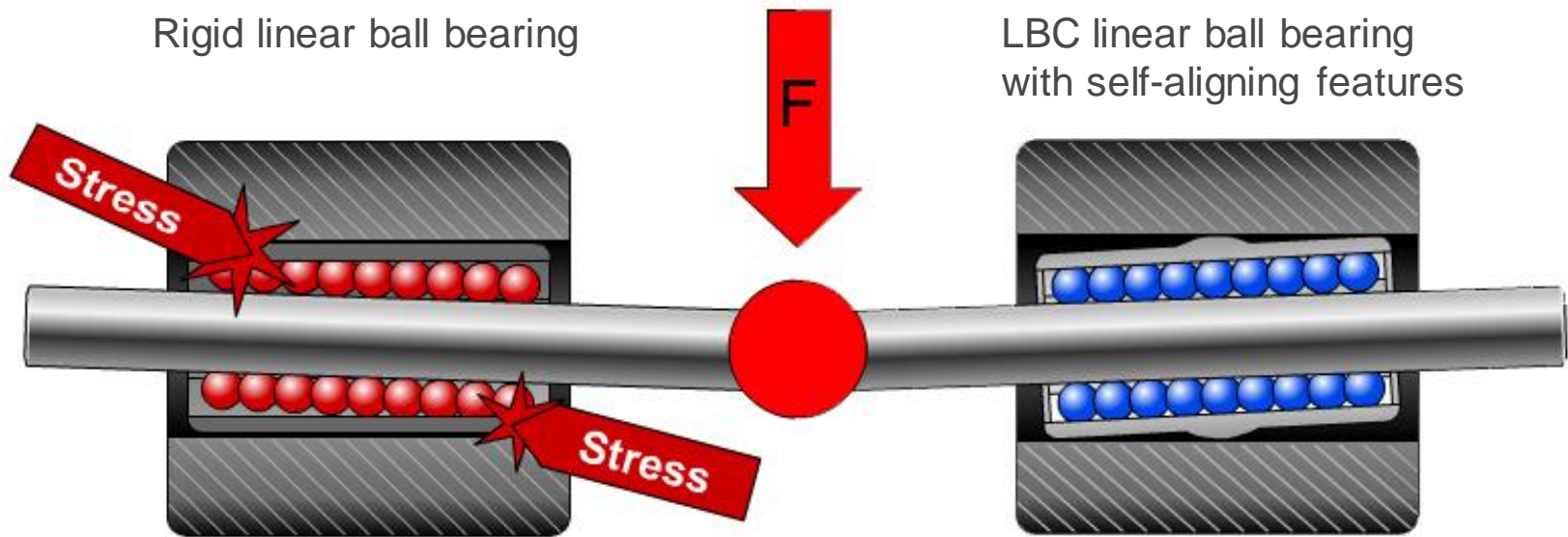
LBC-D series



LBC-A series



ISO 3 – LBC series, shaft deflection and misalignment



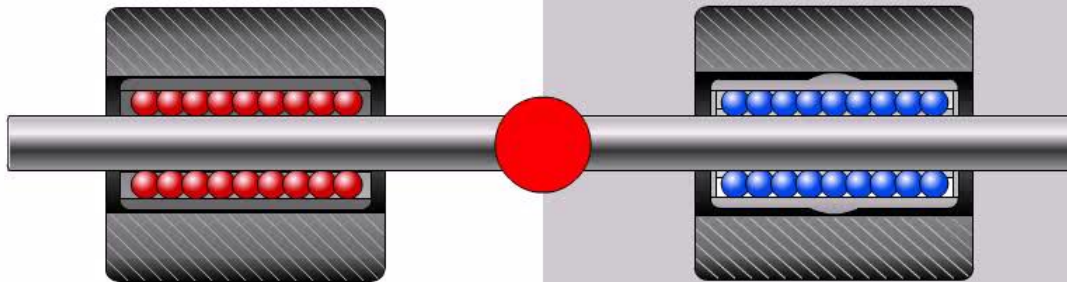
Problem

An arrangement that cannot accommodate misalignment has reduced service life and increased maintenance costs

Solution

Ewellix self-aligning feature

Self-aligning version available - LBCD, D



- Allows tilting of ± 30 minutes of arc
- Bearing, shields and seals remain concentric with the shaft
- Good running characteristics despite misalignment or bent shaft

ISO 3 – LBC series, self-aligning feature



Self-aligning feature:

- Accommodates deflection angles up to ± 30 minutes of arc
- Shaft misalignment is accommodated thanks to crowned raceway plates
- Favourable running characteristics in spite of misalignment and shaft bending

ISO 3 – LBC series, open bearings

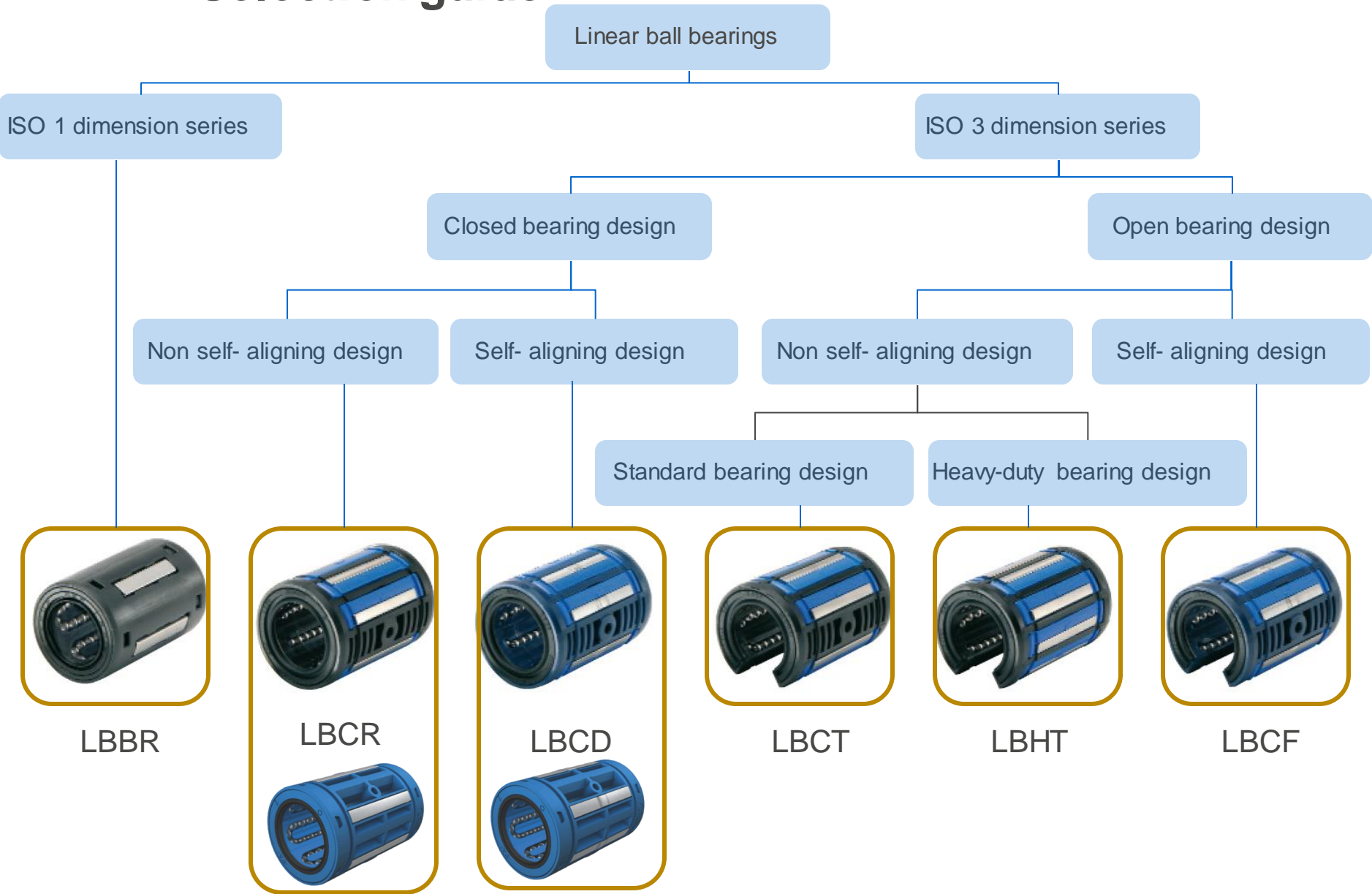
Open LBC bearings for supported shafts:

- For heavy loads or long guidance length
- For increased stiffness of a complete system



A section of the bearing has been cut away for mounting on supported shafts

Selection guide



Product range, linear ball bearings



○LBBR

3 4 5 6 8 10 12 14 16 20 25 30 40 50

○LBCR, D-series

12 16 20 25 30 40

○LBCR, A-series

5 8 50 60 80

○LBCD, D-series

12 16 20 25 30 40

○LBCD, A-series

50

○LBCT

12 16 20 25 30 40 50 60 80

○LBCF

12 16 20 25 30 40 50

○LBHT

20 25 30 40 50

Shaft diameter in mm

Alternatives for corrosive environments

SKF components for corrosive environments:

- Stainless steel or chrome-plated shafts
- Stainless steel raceway plates
- Stainless steel balls
- Available for LBB and LBC series



Designation system for linear ball bearings

LBCR 50 A -2LS/HV6
LBCR 20 D -2LS/HV6



Bearing type

LBBR, ISO 1:
LBCR, ISO 3
LBCD, ISO 3
LBCT, ISO 3
LBCF, ISO 3
LBHT, ISO 3

Shaft size in mm

Designation suffix

No code – with shields (standard)
-2LS – integral double lip seals
/HV6 – stainless steel

Linear ball bearing units

Ewellix linear ball bearing units:

- High load carrying capacity
- Wide product range
- High-grade aluminium housing
- Low weight
- Also available as duo, tandem and quadro units
- Dimensionally interchangeable according to ISO 13012



Single



Duo

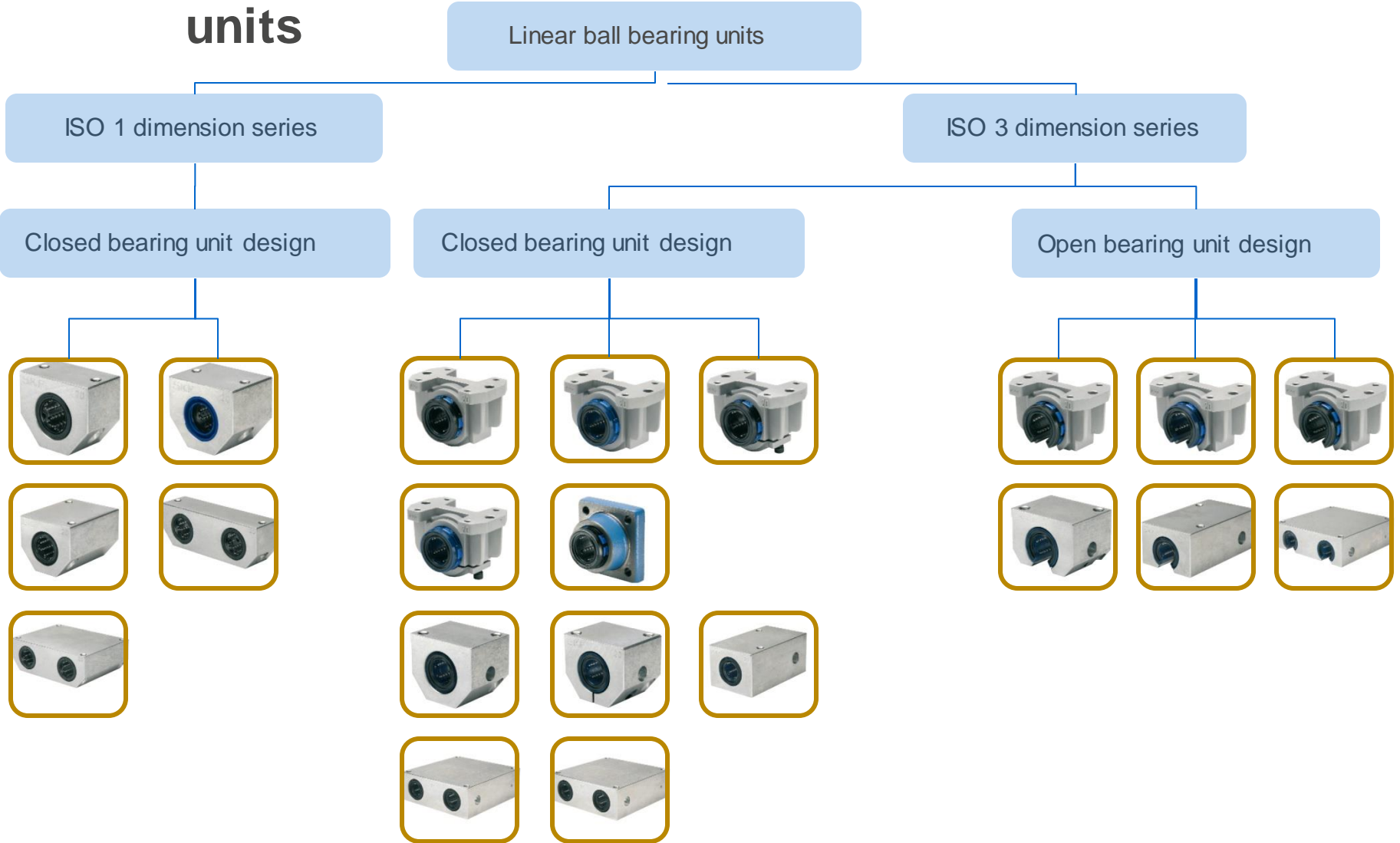


Tandem



Quadro

Selection guide - linear ball bearing units



Selection guide - linear ball bearing units

LUCE 20 -2LS/HV6

Unit type

LUHR, ISO 1
LUJR, ISO 1
LTBR, ISO 1
LTDR, ISO 1
LQBR, ISO 1
LUCR, ISO 1
LUCD, ISO 3
LUCS, ISO 3
LUCE, ISO 3
LICT, ISO 3
LUCF, ISO 3
LUCT..BH, ISO 3
LUND, ISO 3
LUNE, ISO 3
LUNF, ISO 3
LVCR, ISO 3
LTCD, ISO 3
LTCF, ISO 3
LQCR, ISO 3
LQCD, ISO 3
LQCF, ISO 3

Shaft size
in mm



Designation suffix

(based used in the unit)

No code – with shields (standard)
-2LS – integral double lip seals
/HV6 – stainless steel

Precision shafts

Ewellix precision shaft

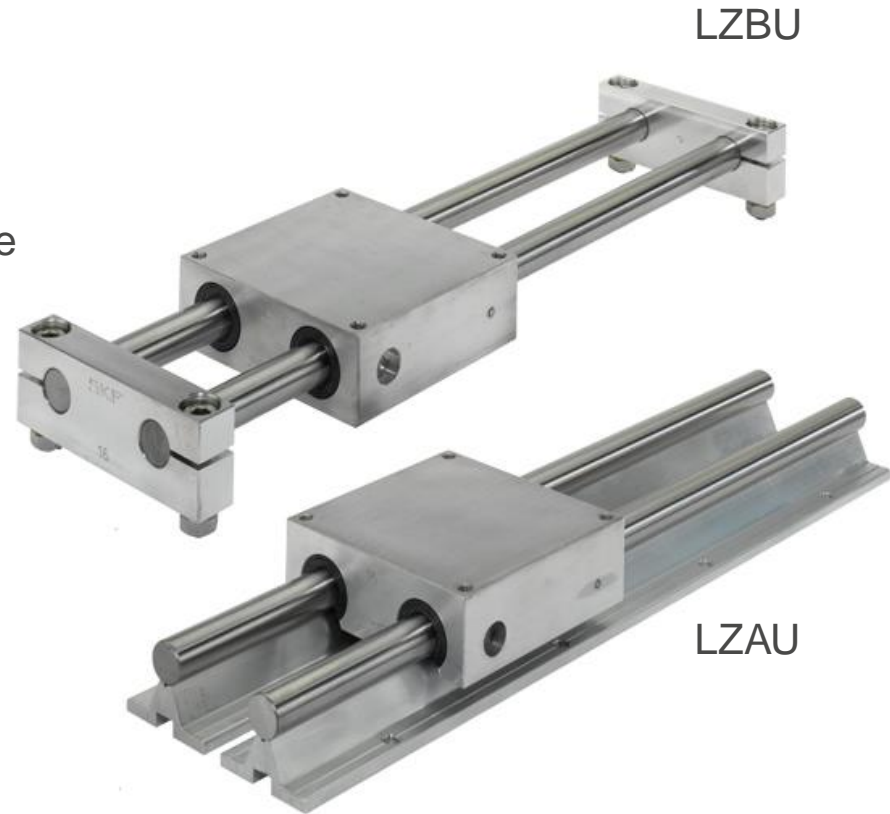
- High dimensional stability
- Long service life
- Induction-hardened and ground
- Solid or hollow
- Stainless steel or chromium plated
- Supported and un-supported shaft
- Customized shafts are available upon request



Tables

Benefits of complete Ewellix tables

- One point of contact for supply and maintenance
- Easy selection and ordering
- Shaft diameter from 12 to 50 mm
- Available in several configurations
- LZBU is delivered as a complete kit (to be assembled by the customer)
- LZAU is delivered as pre-assembled solution



Product range - Inch dimensions



To support the market demand for inch dimensions Ewellix has, in addition to metric linear bearings, a complete line of inch linear ball bearings and shafting.